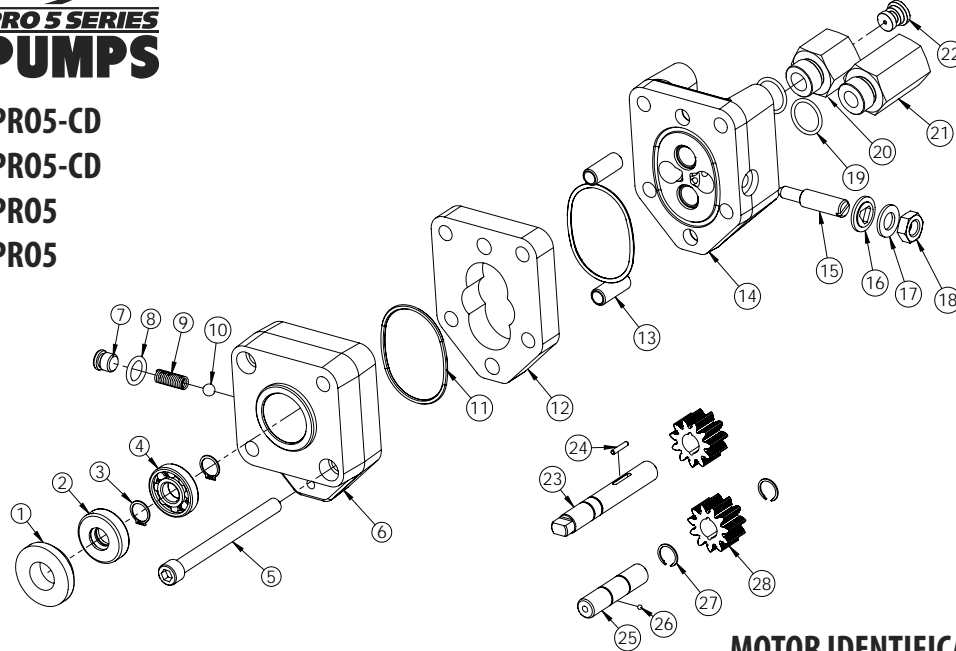




**PRO 5 SERIES
PUMPS**

PRO 5 SERIES HYDRAULIC MOTORS

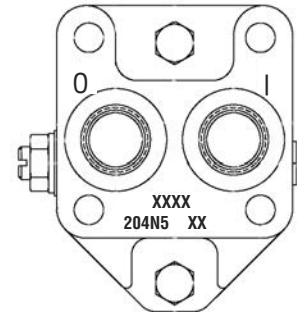
BAC-75-HYD-203-PRO5-CD
BAC-75-HYD-204-PRO5-CD
BAC-75-HYD-204-PRO5
BAC-75-HYD-206-PRO5



PARTS LIST

MOTOR IDENTIFICATION

REF. #	203N5-CD	204N5-CD	204N5	206N5	DESCRIPTION	REQ.
1	40177	40177	40177	40177	S255 seal support spacer	1
2 ^①	40153	40153	40153	40153	Seal cartridge	1
3	41941	41941	41941	41941	Snap ring, bearing	2
4	41961	41961	41961	41961	Ball bearing, 7/16" I.D.	1
5	41264	41262	41262	41262	Cap screw, socket head	2
6	41737	41737	41736	41736	Drive plate	1
7	42041	42041	42041	42041	Valve cap, coasting check	1
8 ^①	42044	42044	42044	42044	"O" ring, coasting check	1
9	42042	42042	42042	42042	Spring, coasting check	1
10	42043	42043	42043	42043	Ball, coasting check	1
11 ^①	41850	41850	41850	41850	"O" ring, housing seal	2
12	41719	41720	41720	41721	Gear housing	1
13	41799	41800	41800	41801	Dowel pin, housing	2
14	41747	41747	41747	41747	End plate	1
15	42010	42010	42010	42010	Adjusting screw, needle valve	1
16 ^①	42030	42030	42030	42030	Thread seal, 3/8", needle valve	1
17	42040	42040	42040	42040	Washer, flat steel, needle valve	1
18	40960	40960	40960	40960	Nut, 3/8" N.C. jam, needle valve	1
19	41875	41875	41875	41875	"O" ring, #8 SAE male fitting	2
20	41455	41455	41455	41455	Adapter body, #8 SAE male x 1/2" FNPT	1
20	41461	41461	41461	41461	Adapter body, #8 SAE male x #10 SAE (optional)	1
21	41441	41441	41441	41441	Reverse check, #8 SAE male x 1/2" FNPT	1
21	41462	41462	41462	41462	Reverse check, #8 SAE male x #10 SAE (optional)	1
22	-	41457	41457	41456	Insert, restrictor orifice, with "O" ring	1
22A	-	41448	41448	41448	"O" ring, orifice insert (use with ref 22 insert)	1
23	41759	41761	41761	41764	Drive shaft	1
24	41919	41920	41920	41921	Dowel pin, drive shaft	1
25	41969	41970	41970	41971	Idler shaft	1
26	41990	41990	41990	41990	Ball, idler shaft	1
27	41980	41980	41980	41980	Retaining ring, idler gear	2
28	41749	41750	41750	41751	Gear	2
①	41374	41374	41374	41374	Repair Kit, RK-BAC-75-HYD-L	-



Part number engraved on end plate (#14)

HYDRAULIC INFO

There are three general types of hydraulic systems:

- 1) Load Sensing (LS), also known as Pressure-Flow Compensating (PFC) Closed Center
- 2) Pressure Compensating Closed Center (PC)
- 3) Open Center (OPEN)

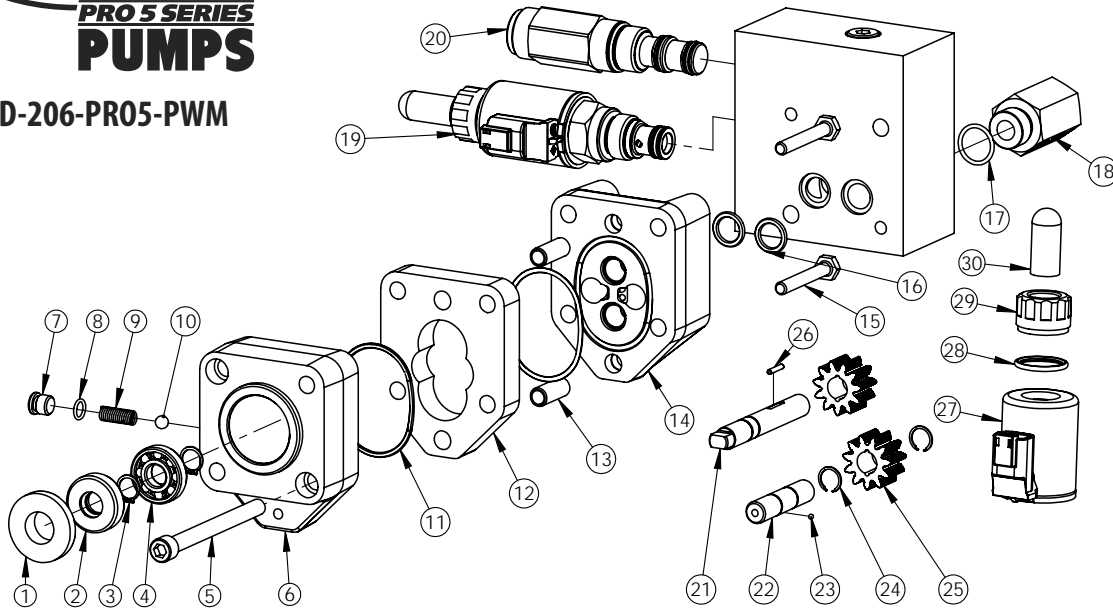
Please consult the Tractor Hydraulic System Pump Selection Guide(HSG), Internet Hydraulic Selection Guide (IHS) at www.AcePumps.com, or your tractor dealer to determine your tractor's hydraulic system.



**PRO 5 SERIES
PUMPS**

PRO 5 SERIES HYDRAULIC MOTORS

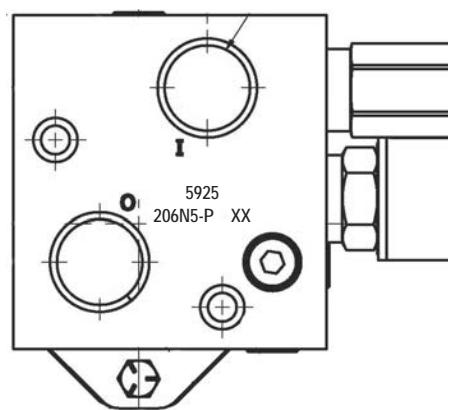
BAC-75-HYD-206-PRO5-PWM



PARTS LIST

REF. #	PART NUMBER	EDP #	DESCRIPTION	REQ.
1	S255	40177	Seal support spacer	1
2 [ⓐ]	BAC-75-200-TLS	40153	Seal cartridge	1
3	41941	41941	Snap ring, bearing	2
4	41961	41961	Ball bearing, 7/16" I.D.	1
5	41256	41256	Cap screw, 5/16" N.C. x 3.5" socket head	2
6	41736	41736	Drive plate, 200-PRO5 series motors	1
7	42041	42041	Valve cap, coasting check	1
8 [ⓐ]	42044	42044	O-ring, coasting check	1
9	42042	42042	Spring, coasting check	1
10	42043	42043	Ball, coasting check	1
11 [ⓐ]	41850	41850	O-ring, housing seal	2
12	41721	41721	Gear housing	1
13	41801	41801	Dowel pin, housing	2
14	41746	41746	End plate, 200-PWM series motors	1
15	41900	41900	Cap screw	2
16	74209	74209	O-ring, port sealing, manifold to motor	2
17	41875	41875	O-ring, #8 SAE male fitting	2
18	BAC-78-10X8 SAE	41462	Reverse check, #8 SAE male x #10 SAE female	1
19	PWM-18-PRO-6	74222	Valve assembly, 12V proportional	1
20	PWM-18-PRV-11	74210	Valve assembly, pressure reducing	1
21	41764	41764	Drive shaft	1
22	41971	41971	Idler shaft	1
23	41990	41990	Ball, idler shaft	1
24	41980	41980	Retaining ring, idler gear	2
25	41751	41751	Gear	2
26	41921	41921	Dowel pin, drive shaft	1
27	74225	74225	Coil, 12V for PWM-18-PRO-6 and -11	1
28	41445	41445	O-ring, coil nut	1
29	74230	74230	Nut, coil retainer for PWM-18-PRO-6 and -11	1
30	74235	74235	Protector, manual override, PWM-18-PRO-6 and -11	1
*	BAC-75-HYD-206-PRO5-P	41219	Motor less manifold, 206-PRO5-PWM, includes 1-15 & 21-26	-
*	PWM-1-206	74201	Mainfold assembly, 206-PWM, includes 16 - 20	-
ⓐ	RK-BAC-75-HYD-L	41374	Motor repair kit	-

MOTOR IDENTIFICATION



PWM HYDRAULIC INFO

There are three general types of hydraulic systems:
 1) Load Sensing (LS), also known as Pressure-Flow Compensating (PFC) Closed Center
 2) Pressure Compensating Closed Center (PC)
 3) Open Center (OPEN)

This product is designed to operate on both Closed Center Hydraulic Systems. It should not be used with Open Center systems. Please consult the Tractor Hydraulic System Pump Selection Guide (HSG), Internet Hydraulic Selection Guide (IHSG) at www.AcePumps.com, or your tractor dealer to determine your tractor's hydraulic system.

The two valve design limits the maximum oil flow to the motor and prevents overspeeding. The Restrictor Orifice and Flow Limiter are not needed with this product.

All PWM controllers are slightly different in the terminology used and setup procedures. Please consult your controller documentation or their technical service department for additional assistance with your specific application and implement in use.

* Not shown in parts diagram