



# FMCWS-155F-HYD Series High Performance Hydraulic Motor Driven Centrifugal Pump



The Pro 5 Series has the same compact, close coupled design that you have come to expect with several new features to maximize life and reliability. The pump life has been enhanced with standard E-coated castings, an optional chemical resistant stainless steel wet end, and larger bearings. Oasis™ Wet Seal Technology prevents run dry failure and isolates seals from harsh chemicals. Interchangeability of parts within the Pro 5 Series simplifies stock and reduces inventory needed for field support.



# 155

**PRO 5 SERIES**

## SPECIFICATIONS

### Pump Specifications

Ports	220 x 200 Flange and 1-1/2" x 1-1/4" PT	
Max. Flow	145 GPM ( 550 LPM) for 206	155 GPM (587 LPM) for 304
Max. Pressure	120 PSI (8.3 BAR) for 206	130 PSI (9.0 BAR) for 304
Construction	E-coated Cast Iron or 316 Stainless Steel (FS)	
Seal	Carbon ceramic / FKM	
Shaft	Stainless Steel	
Bearings	Sealed for long life	
Impeller	Thermoplastic with Stainless Steel Hub	
Wear Ring	Stainless Steel	

### Motor Specifications

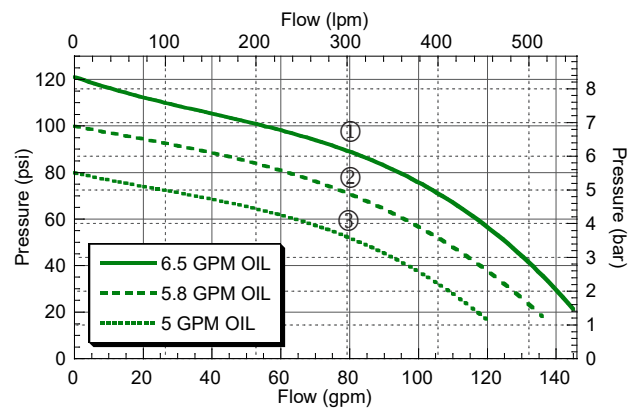
Type	High Efficiency Close Coupled Gear Motor			
Seal	High Pressure Double Lip Teflon			
Internal Coasting Check	Prevents Damaging Pressure Spikes when Turned Off			
Size	-206	-206 PWM	-304	-304 PWM
Maximum Flow	7 GPM (26.5 LPM)		9 GPM (34 LPM)	
Maximum Pressure	2700 PSI (186 BAR)		2500 PSI (172 BAR)	
Bypass Needle	Up to 9 GPM (34 LPM)	Not included	Up to 9 GPM (34 LPM)	Not included
Use on HYD Systems	PC, LS, and OC	PC, LS	PC, LS, and OC	PC, LS
External Reverse Check	✓	✓	✓	✓
Inlet Adapter / Restrictor Body 1/2" FNPT	✓	✗	✓	✗
Restrictor Insert	✓	✗	✓	✗
-206 PWM	Integrated 12V Proportional Control Valve and Pressure Relief Valve for use in Precision Applications using Pulse Width Modulated control systems.			
Case Drain (Option)	Available	Not Available	Available	Not Available
Flow Limiter (Optional)	LS-206N	Do not use	LS-304N	Do not use

### Available Models

FMCWS-155F-HYD-206	FMCSC-155FS-HYD-206
FMCSC-155F-HYD-206-PWM	FMCSC-155FS-HYD-206-PWM
FMCWS-155F-HYD-304	FMCSC-155FS-HYD-304
FMCSC-155F-HYD-304-PWM	FMCSC-155FS-HYD-304-PWM

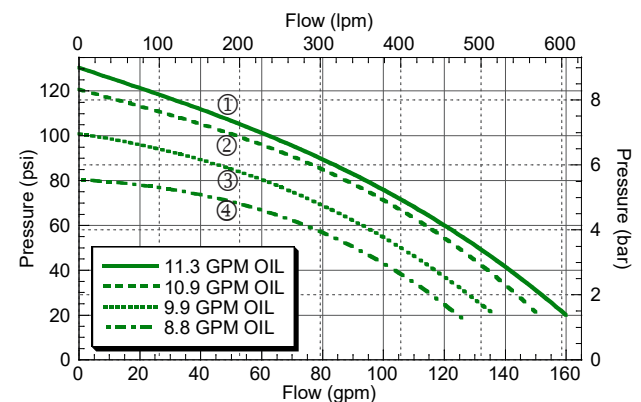
## PERFORMANCE

### FMCWS-155F-HYD-206



CURVE	-206	
1	6.5 GPM	24.6 LPM
2	5.8 GPM	22.0 LPM
3	5 GPM	19.0 LPM

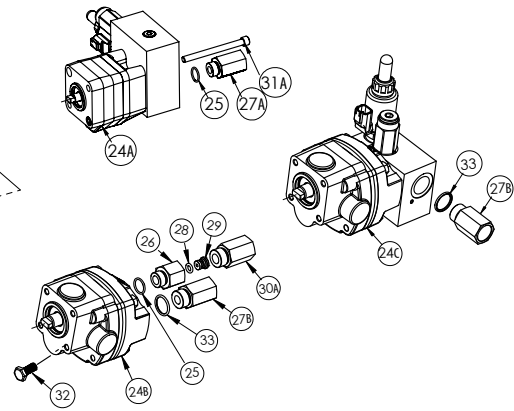
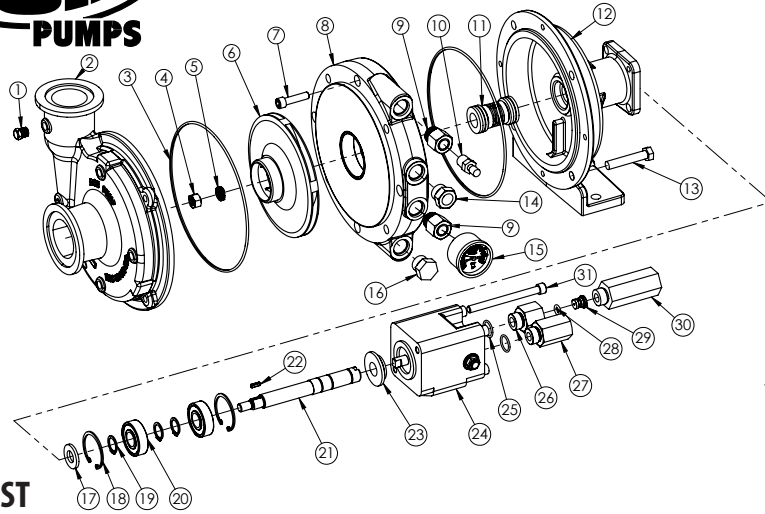
### FMCWS-155F-HYD-304



CURVE	-304	
1	11.3 GPM	42.8 LPM
2	10.9 GPM	41.3 LPM
3	9.9 GPM	37.5 LPM
4	8.8 GPM	33.3 LPM



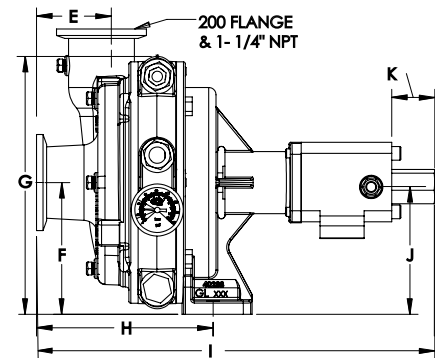
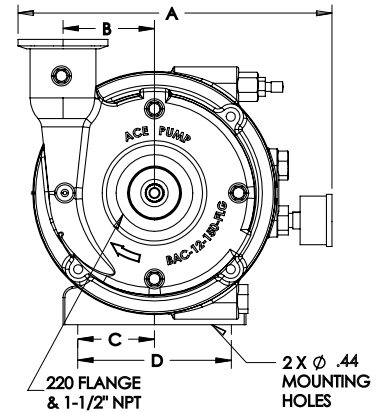
# FMCWS-155F-HYD Series



## PARTS LIST

REF. #	PART NUMBER	EDP #	DESCRIPTION	REQ.
1	BAC-53	41100	Pipe plug	4
1	41120	41120	Pipe plug, stainless steel (optional)	4
2A	BAC-12-150-FLG-EC	40257	Volute , cast iron, NPT and flanged, E-coated	1
2B	BAC-12-150-FLG-SS	40249	Volute , stainless steel, NPT and flanged	1
3 <sup>Ⓚ</sup>	BAC-4-150	40015	O-ring, body seal	2
4	BAC-23-B-SS	40393	Nut, 3/8" NF, SS	1
5	BAC-24-B-SS	42702	Washer, 3/8" SS, vibration proof	1
6	BAC-26-155-P	40453	Impeller, thermoplastic, keyway	1
7	72762	72762	Bolt, 5/16"-18 x 1-1/4", socket head, SS	4
8A	BAC-16	45285	Seal plate, cast iron, e-coated	1
8B	BAC-16-SS	45286	Seal plate, stainless steel	1
9	41107	41107	Bushing, #8 SAE x 1/4" FNPT, w/ o-ring	2
10	41316	41316	Air valve, 1/4" NPT	1
11 <sup>Ⓚ</sup>	BAC-7-WS	40139	Seal, dual seal assembly, Type 21, 5/8" shaft	1
12	BAC-14-5-HYD	40288	Mounting frame, cast iron, e-coated	1
13	BAC-42	40970	Cap screw, 5/16"-16 x 2", hex head	4
14	55851	55851	Sight gauge, #8 SAE, with o-ring	1
15	50150	50150	Pressure gauge, 0-160 PSI, 1/4" NPT	1
16	41108	41108	Plug, #8 SAE, hex head	1
17	BAC-54	41130	Slinger	1
18	BACH-33	40820	Snap ring, internal, mounting frame	2
19	BACH-32-HD	40385	Snap ring, external, shaft	3
20	40880	40880	Bearing	2
21	BAC-6-125-HYD-SS-WS	41581	Shaft, .625 DIA, 125-155, SS, WS	1
22	BACH-25	40420	Key, 1/8" x 1/8" x 7/16" SS	1
23	S255	40177	Seal support spacer (206)	1
23	S300	40162	Seal support spacer (304)	1
24	BAC-75-HYD-206-PRO5	41329	Hydraulic motor, 7 GPM (includes 23, 26, 27, 29, 31)	1
24A	BAC-75-HYD-206-PRO5-PWM	41290	Hydraulic motor, integrated PWM valve, 7 GPM (includes 23, 24A, 25, 27A, 31A)	1
24B	BAC-75-HYD-304	41381	Hydraulic motor, 9 GPM (includes 23, 24B, 25, 26, 27B, 28, 29)	1
24C	BAC-75-HYD-304-PWM	41348	Hydraulic motor, integrated PWM valve, 9 GPM (includes 23, 24C, 27B, 32, 33)	1
25	41875	41875	O-ring, #8 SAE fitting	2
26	BAC-80-8SAE	41455	Body, restrictor orifice, #8 SAE x 1/2" NPT, w/ O-ring	1
27	BAC-78-8SAE	41441	Reverse check assembly, #8 SAE x 1/2" NPT, w/ O-ring	1
27A	BAC-78-10X8SAE	41462	Reverse check assembly, #8 SAE x #10 SAE, w/ O-ring	1
27B	BAC-78-10X10SAE	41467	Reverse check assembly, #10 SAE x #10 SAE, w/ O-ring	1
28	41448	41448	O-ring, restrictor	1
29	BAC-79-7	41456	Orifice insert, restrictor, w/ O-ring (206) (Do not use with 206-PWM)	1
29	BAC-79-8	41447	Orifice insert, restrictor, w/ O-ring (304) (Do not use with 304-PWM)	1
30	LS-206N	41418	Flow limiting valve, #8 MSAE x 1/2" FNPT (206) (optional)	1
30A	LS-304N	41429	Flow limiting valve, #8 MSAE x 1/2" FNPT (304) (optional)	1
31	41259	41259	Cap screw, 5/16" NC x 3-3/4" socket head, SS (for 206 motor)	2
31A	41263	41263	Cap screw, 5/16" NC x 6" socket head, SS (for 206-PWM motor)	2
32	41330	41330	Cap screw, 5/16" NC x 3/4" socket head, (for 304 motor)	2
33	41445	41445	O-ring, #10 SAE	1
*34 <sup>Ⓚ</sup>	55032	55032	Barrier fluid, quart	-
Ⓚ	RK-FMCWS-PRO5	52728	Repair kit, includes items 3 (2 each), 11, and 34	-
*	RK-BAC-75-HYD-L	41374	Repair kit; 200 series hyd motor with high pressure lip seal	-
*	RK-BAC-75-HYD-300-L	41362	Repair kit; 300 series hyd motor with high pressure lip seal	-

## DIMENSIONS



Ref.	A	B	C	D	E	F	G	H	K
Inches	10.72	3.13	2.63	5.25	2.25	3.94	9.75	6.03	1.50
MM	272.3	79.5	66.8	133.4	57.2	100.1	247.7	153.2	38.1

### -206 -206-PWM

Ref.	I	J	I	J
Inches	13.80	4.36	14.29	4.04
MM	350.5	110.7	357.4	102.6

### -304 -304-PWM

Ref.	I	J	I	J
Inches	13.87	3.35	15.26	4.04
MM	352.3	85.1	387.6	102.6

### 3D Model Available

<https://www.3DContentCentral.com/parts/supplier/Ace-Pumps.aspx>

\* Not shown in parts diagram