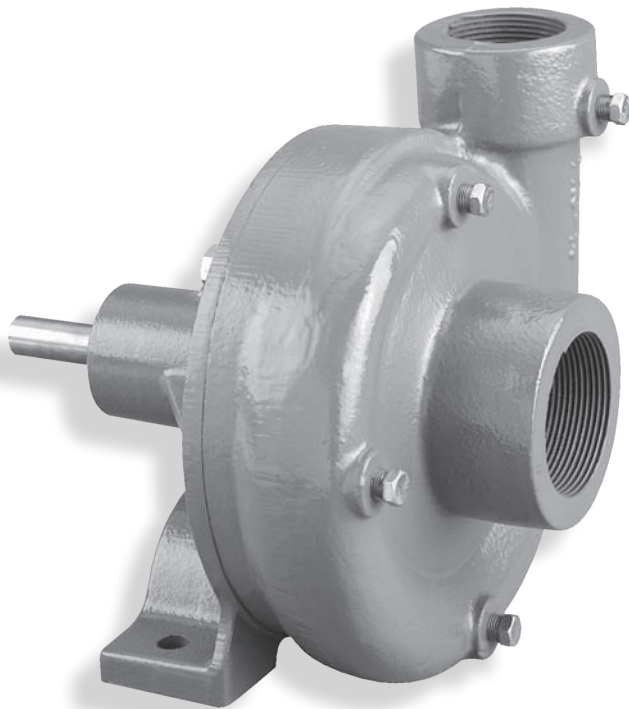




Frame Mounted Centrifugal Pump

FMC-CW-200

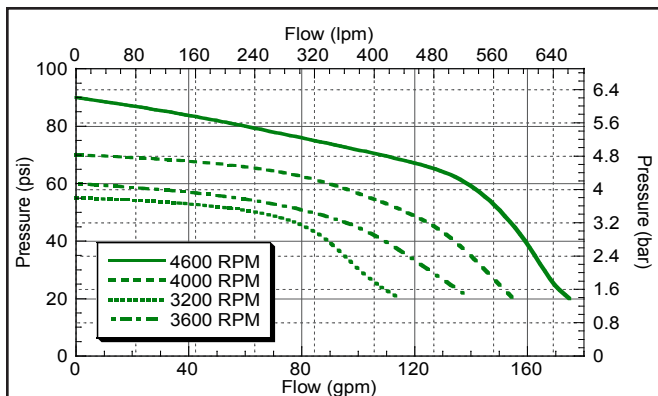


- Suction 2" - Discharge 1-1/2"
- For High Volume Applications: Capacity to 180 GPM
- Clockwise Rotation when Facing Shaft End
- Standard Viton® Carbon/Ceramic seal or Optional Severe Duty Silicon Carbide Mechanical Seal
- Chemical Resistant Valox® or Optional Cast Iron Impeller
- Stainless Steel Shaft

® Valox is a registered trademark of GE Plastics.

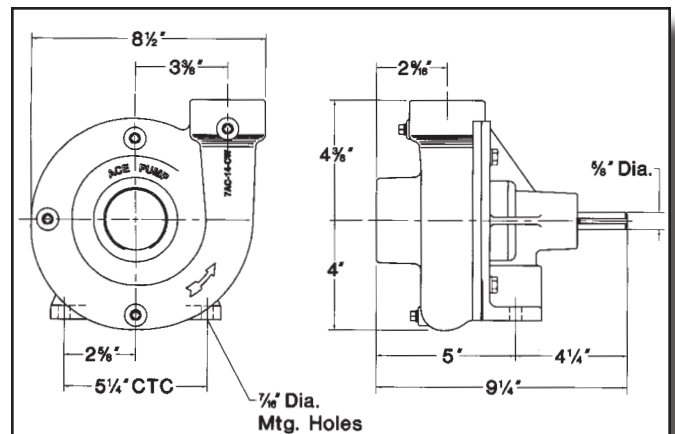
® Viton is a registered trademark of DuPont Dow Elastomers.

PERFORMANCE CHART



$$\frac{\text{Pump RPM}}{\text{Driveshaft RPM}} = \frac{\text{Drive Pulley Diameter}}{\text{Pump Pulley Diameter}}$$

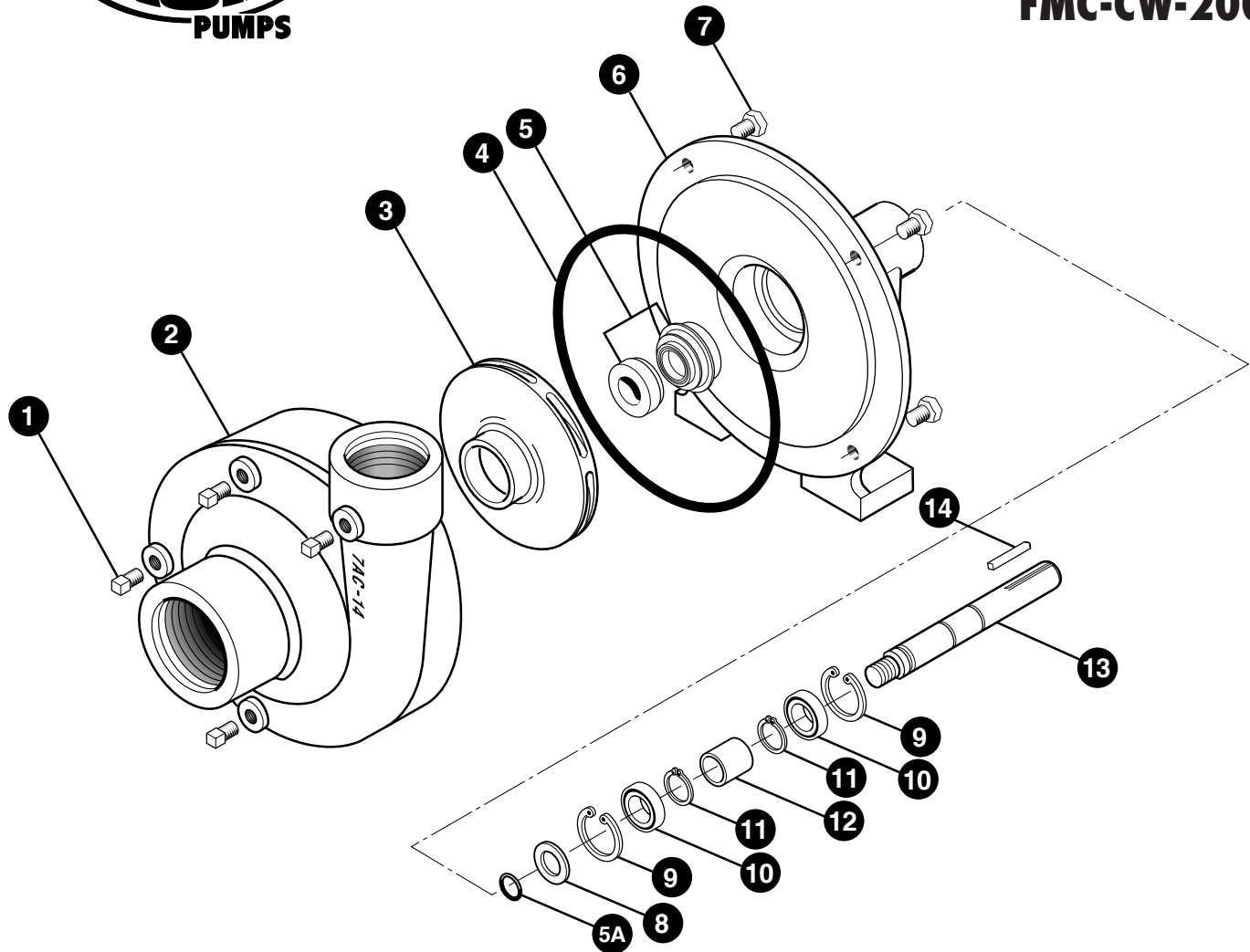
DIMENSIONS



INCHES	9 1/4	8 1/2	5 1/4	5	4 3/8	4 1/4	4	3 3/8	2 5/8	2 9/16
MM	235.0	215.9	133.4	127.0	111.1	108.0	101.6	85.7	66.7	65.1



FMC-CW-200



REF. #	PART #	EDP #	DESCRIPTION	REQ.
1	BAC-53	41110	Pipe plug, 1/8" NPT	4
1	41120	41120	Pipe plug, 1/8" NPT, stainless steel (optional)	4
2	7AC-14-4	30145	Volute, 2" x 1-1/2", clockwise rotation, cast iron	1
3	BAC-26-CW-200-P	41523	Impeller, 5-1/8" dia., right hand NF thread, thermoplastic	1
3	BAC-26-CW-200-CI	41520	Impeller, 5-1/8" dia., right hand NF thread, cast iron (optional)	1
4 ^{①②}	BAC-4A	40005	"O" Ring for BAC-12 volute seal, effective Apr. '96	1
4	BAC-4	40010	Gasket, 4 hole	1
5 ^①	BAC-7V	40151	Seal, Viton mechanical seal, includes 40160 "O" ring	1
5 ^②	BAC-7SC	40152	Seal, Silicon carbide mechanical seal, includes 40160 "O" Ring (optional)	1
5A ^{①②}	40160	40160	"O" Ring for BAC-6 shaft	1
6	BAC-14-F	40310	Mounting frame	1
7	40930	40930	Cap screw, 3/8" NC x 3/4" Hex head, stainless steel (optional)	4
7	40950	40950	Cap screw, 3/8" NC x 3/4" Hex head	4
8	BAC-54	41130	Slinger	1
9	BAC-33	40810	Snap ring, internal, BAC-14 mounting frame	2
10	BAC-37	40870	Bearing, BAC-6 driven shaft	2
11	BAC-32	40790	Snap ring, external, BAC-6 driven shaft	2
12	BAC-32-S	40795	Spacer for BAC-6 shaft	1
13	BAC-6-CW-SS	41500	Shaft, 5/8" Driven, right hand NF thread, stainless steel	1
14	BAC-50	41080	Key, 3/16" x 3/16" x 1-1/4"	1
①	RK-FMC	52700	Repair kit for FMC series	-
②	RK-FMCS	52706	Repair kit for FMC series with silicon carbide seal	-