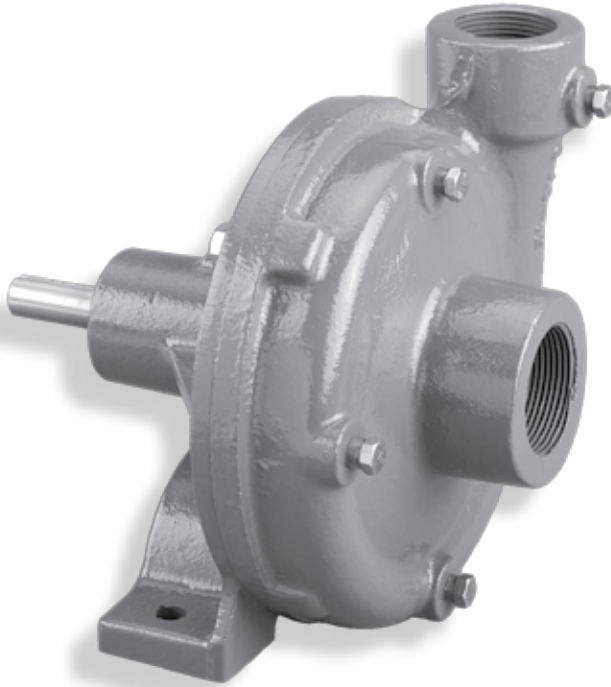




Frame Mounted Centrifugal Pump



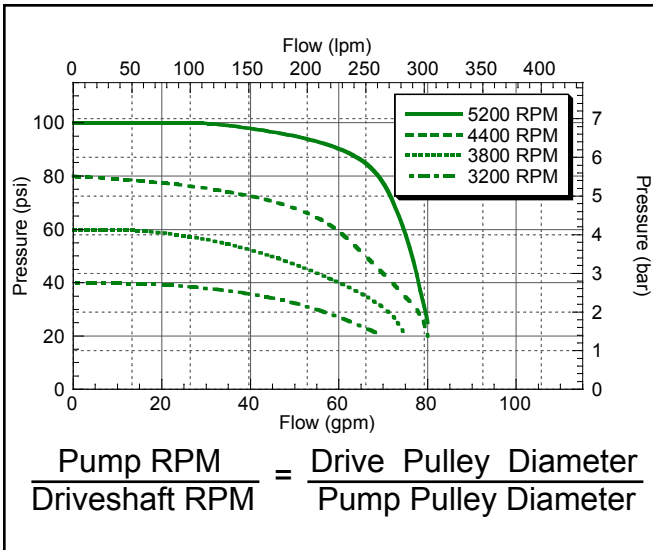
FMC-CW-150

- Suction 1-1/2" - Discharge 1-1/4"
- High Performance Pressure to 100 PSI
- Clockwise Rotation when Facing Shaft End
- Chemical Resistant Valox® or Optional Cast Iron Impeller
- Stainless Steel Shaft
- Standard Viton® Carbon/Ceramic seal or Optional Severe Duty Silicon Carbide Mechanical Seal

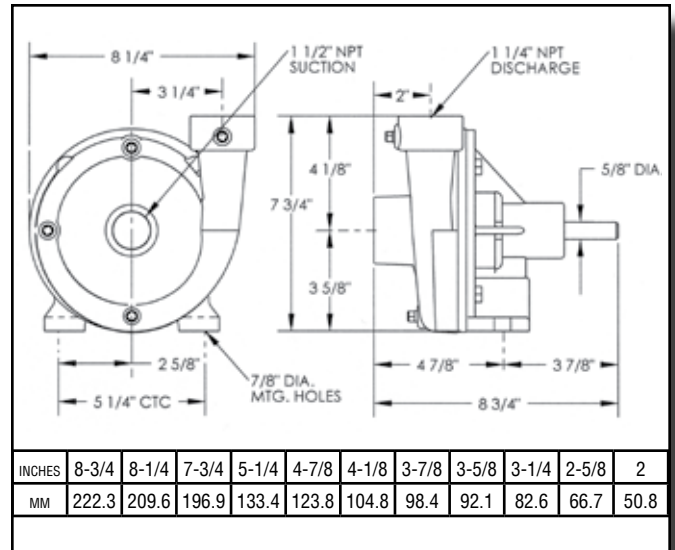
® Registered trademark of GE Plastics

® Registered trademark of Dupont Dow Elastomers

PERFORMANCE CHART

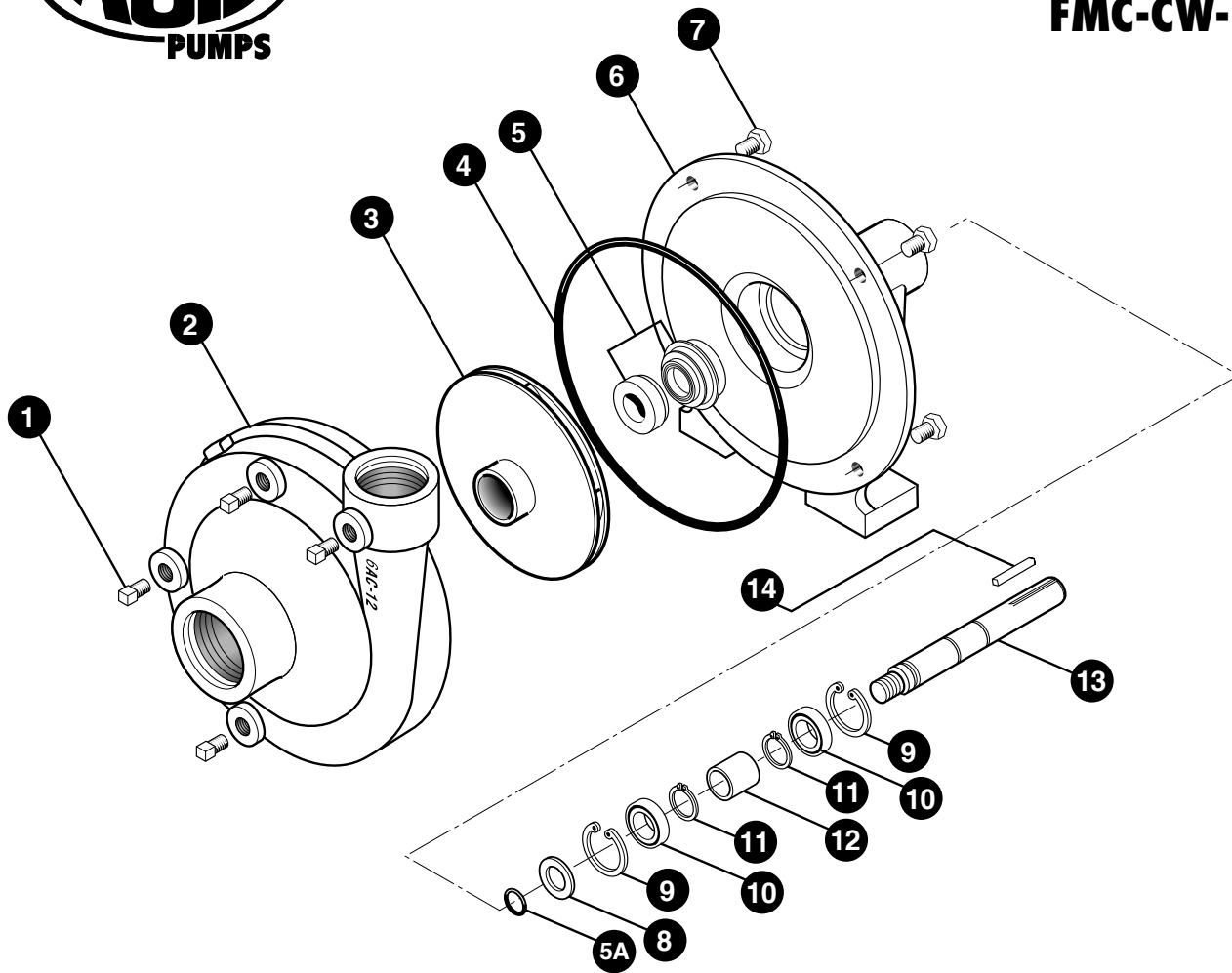


DIMENSIONS





FMC-CW-150



| REF. # | PART # | EDP # | DESCRIPTION | REQ. |
|------------------|------------------|-------|---|------|
| 1 | BAC-53 | 41110 | Pipe plug, 1/8" NPT | 4 |
| 1 | 41120 | 41120 | Pipe plug, 1/8" NPT, stainless steel (optional) | 4 |
| 2 | 6AC-12 | 30130 | Volute, 1-1/2" x 1-1/4", clockwise rotation, cast iron | 1 |
| 3 | BAC-26-CW-150-P | 41510 | Impeller, 5-1/2" dia., right hand NF thread, thermoplastic | 1 |
| 3 | BAC-26-CW-150-CI | 41515 | Impeller, 5-1/2" dia., right hand NF thread, cast iron (optional) | 1 |
| 4 ^{①②} | BAC-4A | 40005 | "O" Ring for BAC-12 volute seal, effective Apr. '96 | 1 |
| 4 | BAC-4 | 40010 | Gasket, 4 hole | 1 |
| 5 ^① | BAC-7V | 40151 | Seal, Viton mechanical seal (includes 40160 "O" ring) | 1 |
| 5 ^② | BAC-7SC | 40152 | Seal, Silicon carbide mechanical seal (includes 40160 "O" Ring)(optional) | 1 |
| 5A ^{①②} | 40160 | 40160 | "O" Ring for BAC-6 shaft | 1 |
| 6 | BAC-14-F | 40310 | Mounting frame | 1 |
| 7 | 40930 | 40930 | Cap screw, 3/8" NC x 3/4" Hex head, stainless steel (optional) | 4 |
| 7 | 40950 | 40950 | Cap screw, 3/8" NC x 3/4" Hex head | 4 |
| 8 | BAC-54 | 41130 | Slinger | 1 |
| 9 | BAC-33 | 40810 | Snap ring, internal, BAC-14 mounting frame | 2 |
| 10 | BAC-37 | 40870 | Bearing, BAC-6 driven shaft | 2 |
| 11 | BAC-32 | 40790 | Snap ring, external, BAC-6 driven shaft | 2 |
| 12 | BAC-32-S | 40795 | Spacer for BAC-6 shaft | 1 |
| 13 | BAC-6-CW-SS | 41500 | Shaft, 5/8" Driven, right hand NF thread, stainless steel | 1 |
| 14 | BAC-50 | 41080 | Key, 3/16" x 3/16" x 1 1/4" | 1 |
| ① | RK-FMC | 52700 | Repair kit for FMC series | - |
| ② | RK-FMCS | 50706 | Repair kit for FMC series with silicon carbide shaft seal | - |