



FMC-75SP-HYD Series Self-Priming Hydraulic Motor Driven Centrifugal Pump

These compact corrosion resistant pumps are perfect for smaller transfer, spray, or tank rinsing applications.

Features:

- Compact and light weight design
- Close coupled with separate pump and motor shafts for easy service
- All polypropylene construction with stainless steel internal hardware providing excellent corrosion resistance
- High efficiency, low flow hydraulic motors for efficient operation



SPECIFICATIONS

| Pump Specifications | |
|---------------------|---|
| Ports | 1" NPT x 3/4" NPT |
| Max. Flow | 50 GPM (189 LPM) w/206 30 GPM (114 LPM) w/204 |
| Max. Pressure | 80 PSI (5.5 BAR) w/206 60 PSI (2.1 BAR) w/204 |
| Construction | Polypropylene |
| Seal | Carbon/Ceramic/FKM or Optional Silicon Carbide /FKM |
| Shaft | Stainless Steel |
| Bearings | Sealed for long life |
| Impeller | Polypropylene with key |
| Priming Height | Maximum 6 feet (1.8 meters) |

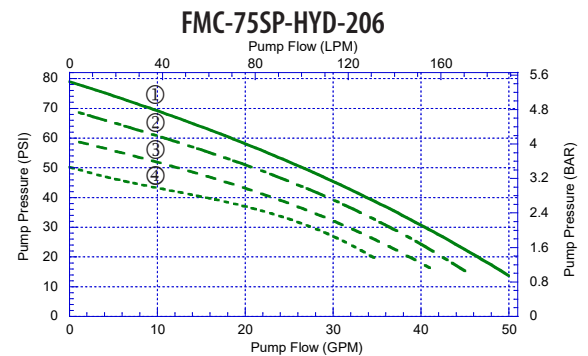
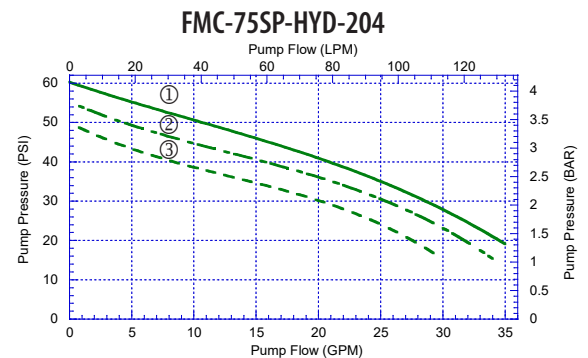
Motor Specifications

| | | | |
|--|--|--------------------|--------------|
| Type | High Efficiency Close Coupled Gear Motor | | |
| Seal | High Pressure Double Lip PTFE | | |
| Internal Coasting Check | Prevents Damaging Pressure Spikes when Turned Off | | |
| Size | -204R | -206R | -206R-PWM |
| Maximum Flow | 4 GPM(15.1 LPM) | 7 GPM (26.5 LPM) | |
| Maximum Pressure | 2650 PSI (180 BAR) | 2700 PSI (186 BAR) | |
| Bypass Needle | Up to 9 GPM | Up to 9 GPM | Not included |
| Use on HYD Systems | PC, LS, and OC | PC, LS, and OC | PC & LS |
| External Reverse Check | ✓ | ✓ | ✓ |
| | 1/2" FNPT | 1/2" FNPT | #10 SAE |
| Inlet Adapter / Restrictor Body 1/2"FNPT | ✓ | ✓ | ✗ |
| Restrictor Insert | ✓ | ✓ | ✗ |
| -206R-PWM | Integrated 12V Proportional Control Valve and Pressure Relief Valve for use in Precision Applications using Pulse Width Modulated control systems. | | |
| Flow Limiter (Optional) | LS-204N | LS-206N | Do not use |

Available Models

| | |
|------------------|----------------------|
| FMC-75SP-HYD-204 | FMC-75SP-HYD-206 |
| | FMC-75SP-HYD-206-PWM |

PERFORMANCE



Maximum Fluid Temperature - 140° F (60° C)

Fill pump volute prior to starting engine.

Do Not Run Dry - Seal damage will result from running dry. Impeller damage may also occur if run dry for an extended period.

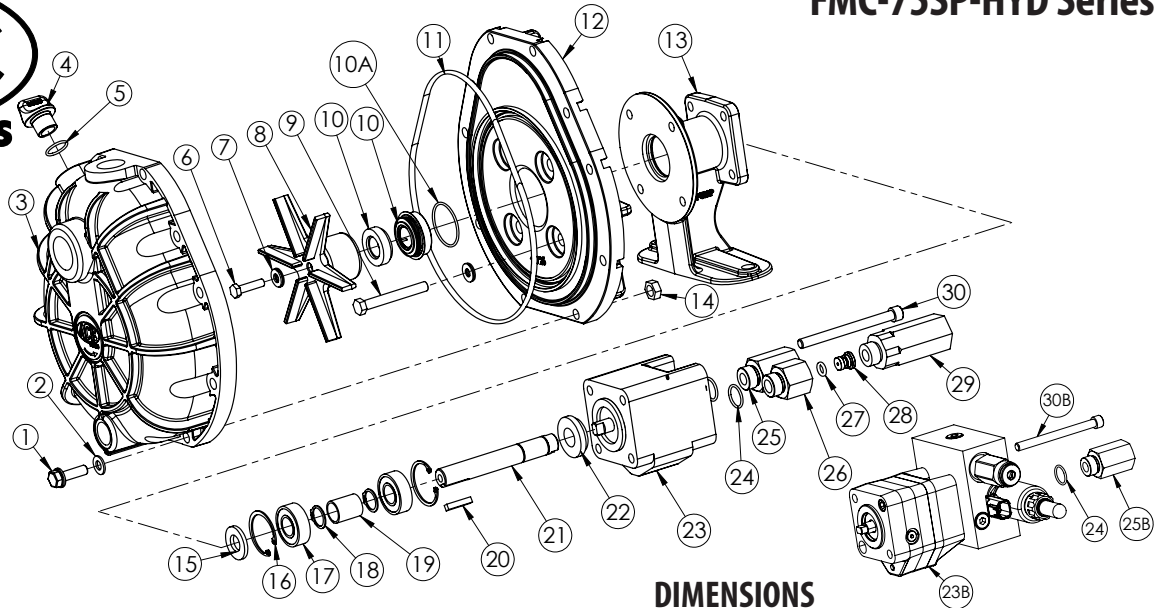
Do Not Run With Flow Shutoff For Extended Periods

Running the pump with no flow for extended periods of time will result in excessive heat and pump failure. A continuous bypass is recommended for low flow applications.

Do not use with flammable liquids.



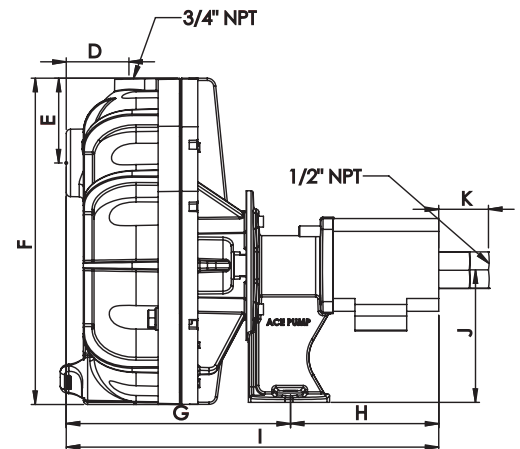
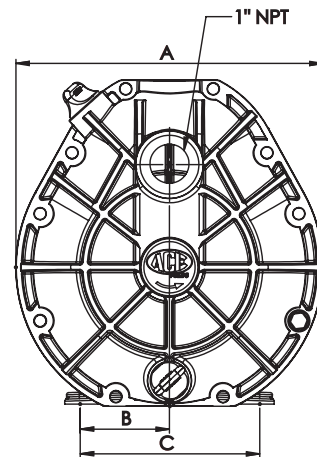
FMC-75SP-HYD Series



PARTS LIST

| REF. # | PART NUMBER | EDP # | DESCRIPTION | REQ. |
|-------------------|---------------------|-------|--|------|
| 1 | 42237 | 42237 | Cap screw, 5/16"-18 x 1-3/8", hex head | 10 |
| 2 | 20730 | 20730 | Washer, flat, 5/16", volute to bracket | 10 |
| 3 | GE-12SP-75 | 42708 | Volute, 1" x 3/4", polypropylene (includes two 41122 plugs) | 1 |
| 4 | 41122 | 41122 | Plug, volute | 2 |
| 5 | 40191 | 40191 | O-ring, plug | 2 |
| 6 | 42240 | 42240 | Cap screw, 1/4"-28 x 1", hex, SS | 1 |
| 7 ^{①②} | 30028 | 30028 | Washer, sealing | 5 |
| 8 | GE-26-75 | 42710 | Impeller, with keyway, polypropylene | 1 |
| 9 | 42238 | 42238 | Cap screw, 5/16" NF x 2-1/2", SS | 4 |
| 10 ^① | BAC-7-75V | 42730 | Seal, 5/8", carbon/ceramic/FKM (includes 40159 O-ring) | 1 |
| 10 ^② | BAC-75C-75V | 42731 | Seal, 5/8", silicon carbide/FKM (optional) (includes 40159 O-ring) | 1 |
| 10A ^{①②} | 40159 | 40159 | O-ring, seal seat | 1 |
| 11 ^{①②} | 40014 | 40014 | O-ring, volute seal | 1 |
| 12 | GE-14-75SP | 42725 | Bracket, polypropylene | 1 |
| 13 | BAC-14-75-HYD | 40293 | Mounting frame (for 200R series motors) | 1 |
| 14 | 42270 | 42270 | Nut, hex, 5/16"-18 | 10 |
| 15 | BAC-54 | 41130 | Slinger | 1 |
| 16 | BAC-33 | 40810 | Snap ring, internal, BAC-14 mounting frame | 2 |
| 17 | BAC-37 | 40870 | Bearing, BAC-6 driven shaft | 2 |
| 18 | BAC-32 | 40790 | Snap ring, external, BAC-6 driven shaft | 2 |
| 19 | BAC-32-5 | 40795 | Spacer for BAC-6 shaft | 1 |
| 20 | 41082 | 41082 | Key, 3/16" x 3/16" x 15/16" | 1 |
| 21 | BAC-6-75-HYD-SS | 40048 | Shaft, 5/8" driven shaft with tang slot, SS | 1 |
| 22 | S200 | 40161 | Seal support spacer for 200 series hydraulic lip seal | 1 |
| 23 | BAC-75-HYD-204R | 41437 | Hydraulic motor, 4 GPM (15.1 LPM) | 1 |
| 23 | BAC-75-HYD-206R | 41438 | Hydraulic motor, 7 GPM (26.8 LPM) | 1 |
| 23B | BAC-75-HYD-206R-PWM | 41314 | Hydraulic motor, integrated PWM valve, 7 GPM (26.8 LPM) | 1 |
| 24 | 41875 | 41875 | O-ring, #8 SAE fitting | 2 |
| 25 | BAC-78-8SAE | 41441 | Reverse check assembly, #8 SAE male x 1/2" FNPT (includes 41875) | 1 |
| 25B | BAC-78-10X8SAE | 41462 | Reverse check assembly, #8 SAE male x #10 SAE (includes 41875) | 1 |
| 26 | BAC-80-8SAE | 41455 | Body, restrictor orifice, #8 SAE male x 1/2" FNPT (includes 41875) | 1 |
| 27 | 41448 | 41448 | O-ring, orifice insert | 1 |
| 28 | BAC-79-5 | 41457 | Orifice, restrictor insert, .078 (204) (includes 41448) | 1 |
| 28 | BAC-79-7 | 41456 | Orifice, restrictor insert, .109 (206) (includes 41448) | 1 |
| 29 | LS-204N | 41417 | Flow limiting valve(204), #8SAE male x 1/2" FNPT (optional) | 1 |
| 29 | LS-206N | 41418 | Flow limiting valve(206), #8SAE male x 1/2" FNPT (optional) | 1 |
| 30 | 41252 | 41252 | Cap screw, 5/16" NC x 3-1/2" socket head (204), SS | 4 |
| 30 | 41259 | 41259 | Cap screw, 5/16" NC x 3-3/4" socket head (206), SS | 4 |
| 30B | 41263 | 41263 | Cap screw, 5/16" NC x 6" socket head (206-PWM), SS | 4 |
| ① | RK-FMC-75SP | 60842 | Repair kit for FMC-75SP-HYD series | - |
| ② | RK-FMCS-75SP | 60843 | Repair kit for FMC-75SP-HYD series with silicon carbide shaft seal | - |
| * | RK-BAC-75-HYD-L | 43174 | Repair kit for 200 series motor | - |

DIMENSIONS



| Ref. | A | B | C | D | E | F | G | K |
|--------|-------|------|-------|------|------|-------|-------|------|
| Inches | 8.98 | 2.63 | 5.25 | 2.32 | 2.48 | 9.54 | 6.56 | 1.45 |
| MM | 228.1 | 66.8 | 133.4 | 58.9 | 63.0 | 242.3 | 166.6 | 36.8 |

| Ref. | -204 | | | -206 | | | -206-PWM | | |
|--------|------|------|------|------|------|------|----------|------|------|
| | H | I | J | H | I | J | H | I | J |
| Inches | 4.34 | 10.7 | 3.86 | 4.34 | 10.9 | 4.27 | 6.31 | 12.9 | 4.27 |
| MM | 110 | 272 | 98 | 110 | 277 | 109 | 160 | 327 | 109 |

3D Model Available

<https://www.3DContentCentral.com/parts/supplier/Ace-Pumps.aspx>

Ace Pump Corporation • 1650 Channel Avenue • Memphis, TN 38113
www.AcePumps.com • Phone: 901-948-8514 • Fax: 901-774-6147