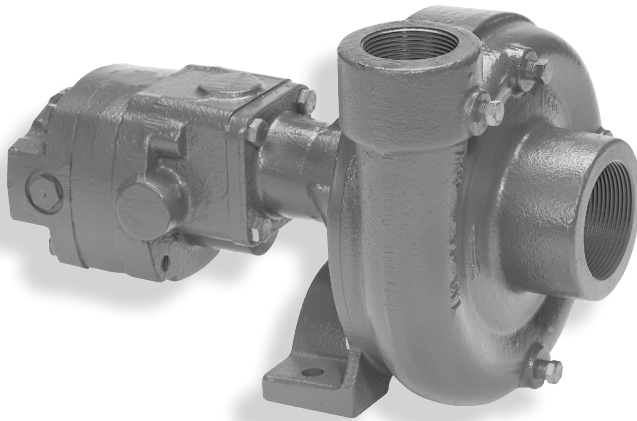




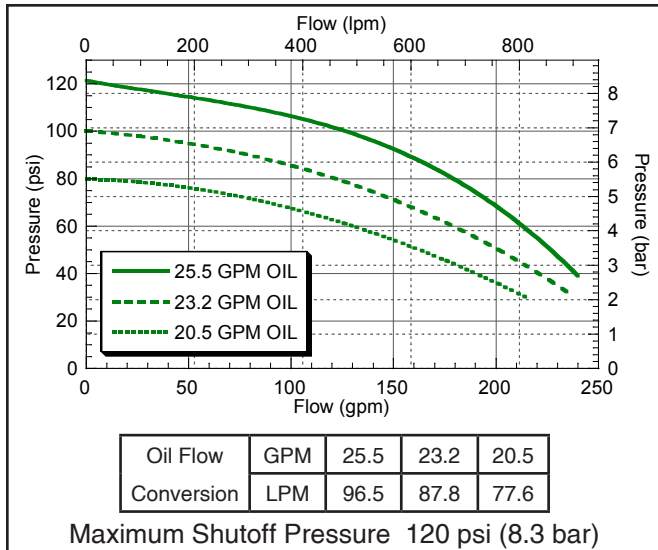
# High Capacity Hydraulic Driven Centrifugal Pump



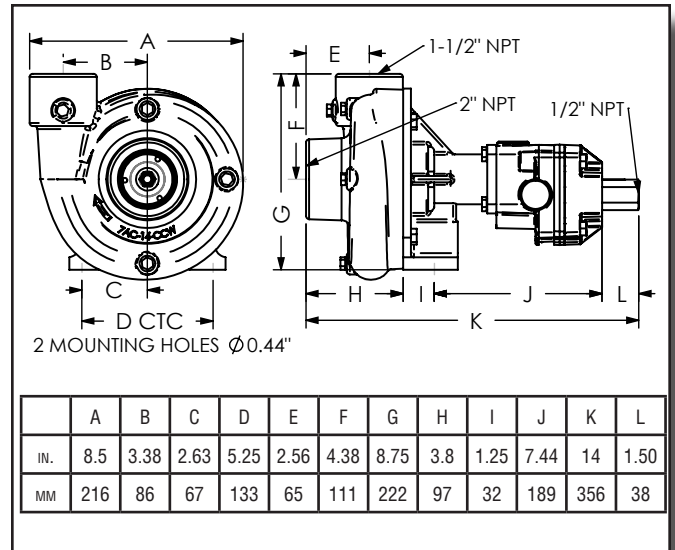
## FMC-200-HYD-310

- Suction 2" NPT x Discharge 1-1/2" NPT
- Recommended for use on Open Center Hydraulic Systems from 16 to 25 GPM
- Integral Needle Valve bypasses up to 9 GPM on Open Center Systems
- Standard Viton® Carbon/Ceramic seal or Optional Severe Duty Silicon Carbide Mechanical Seal
- Chemical Resistant Valox® or Optional Cast Iron or 316 Stainless Steel Impeller
- Stainless Steel Shaft and Wear Ring

### PERFORMANCE CHART



### DIMENSIONS



Valox® is a registered trademark of GE Plastics.  
Viton® is a registered trademark of DuPont Dow Elastomers.