



# PRODUCT UPDATE

Number 20  
Revision 2

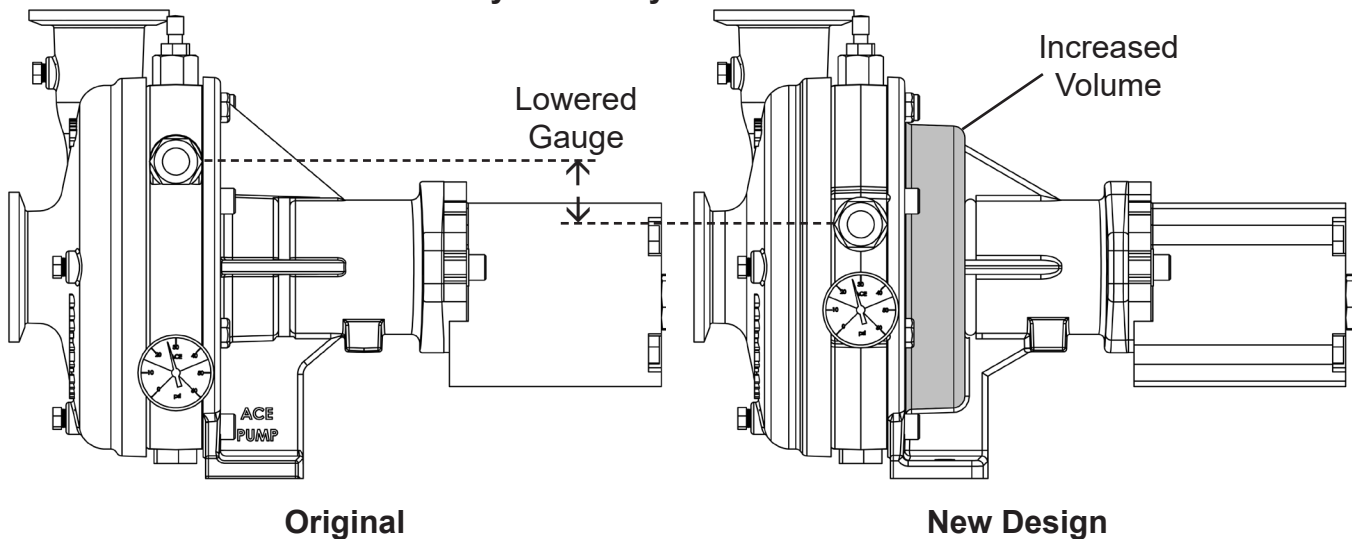
## 650 Oasis™ WetSeal Improvements

Ace is implementing a product improvement for the 650 MAX Series Oasis WetSeal products. These changes will further improve the reliability of the Oasis WetSeal Technology.

The fluid volume in the seal chamber was increased to reduce service intervals. This was accomplished by creating a bowl shape inside the frame's outer mounting surface. We are also increasing the air volume in the seal chamber to improve pressure stability. This was accomplished by lowering the site glass and corresponding fluid level.

The new parts are interchangeable and may be used for repair of older pumps. The original seal plates will be discontinued and superseded by the new design.

### Hydraulically Driven Models



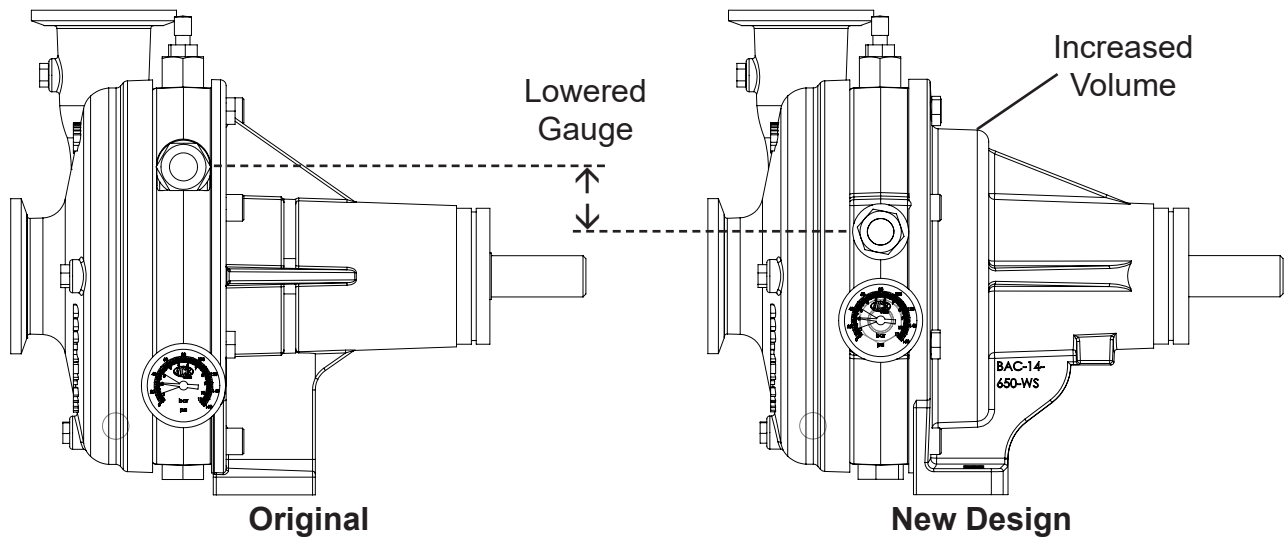
**Affected Models:** All FMCWS-650F-HYD and FMCWS-650FS-HYD models

### Part Changes:

New Part		Description	Replaces	
BAC-14-650-HYD-WS	40289	Mounting Frame	BAC-14-650-HYD	40325
BAC-16-650-A	45282	Seal Plate	BAC-16-650	45262
BAC-16-650-A-SS	45283	Seal Plate (stainless)	BAC-16-650-SS	45266

**Effective Date:** These changes were effective on FMCWS-650F-HYD (cast iron) models March 2017 and FMCWS-650FS-HYD (stainless steel) models November 2017.

### Frame Mounted and MAG-D Models



**Affected Models:** All FMCWS-650F and FMCWS-650F-MAG-D models  
All FMCWS-650FS and FMCWS-650FS-MAG-D models

**Part Changes:**

New Part		Description	Replaces	
BAC-14-650-MAG-WS	40287	Mounting Frame	BAC-14-650-MAG	40297
BAC-16-650-A	45282	Seal Plate	BAC-16-650	45262
BAC-16-650-A-SS	45283	Seal Plate (stainless)	BAC-16-650-SS	45266

**Effective Date:** These changes were effective on all FMCWS-650F (cast iron) and FMCWS-650FS (stainless steel) models March 2021.