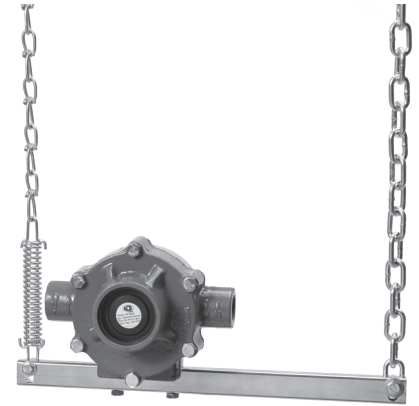


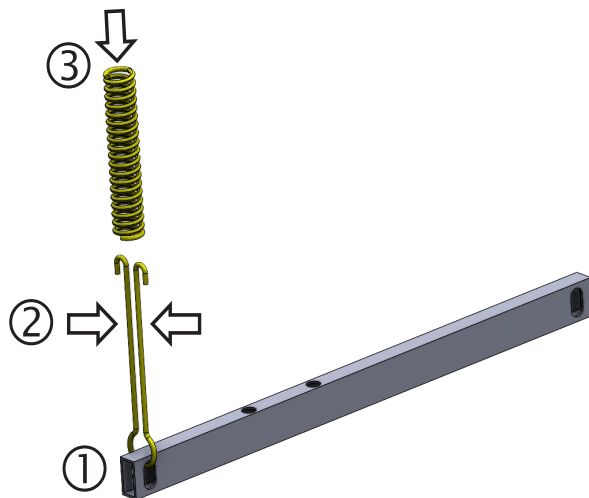


Torque Bar Kit for Roller Pumps Model RP-TBK

Ace Pump's Torque Bar Kit is designed for use with Roller Pumps when connected to a tractor's PTO shaft. This kit may be used with any RP-600 or RP-800 pump. Ace's unique design provides safe operation by supporting the pump and carrying the PTO torque load. All steel construction ensures strength and durability.



KIT ASSEMBLY INSTRUCTIONS



1. Connect spring to bar:
 - a. Insert attachment clip through end slot closest to pump mounting holes
 - b. Squeeze attachment clip ends together and hold
 - c. Push clip completely through spring and release
2. Repeat step 1 to connect light weight tensioning chain to opposite end of spring using the second attachment clip
3. Attach heavy torque chain to opposite end of bar:
 - a. Place cap screw through attachment slot
 - b. Then place heavy chain end, flat washer, and lock nut on bolt (in this order)
 - c. Tighten the lock nut to securely fasten chain to bar
4. Attach pump to bar using two cap screws. Orient pump with outlet port facing spring and tighten to 15 ft-lbs (20 Nm)

INSTALLATION INSTRUCTIONS

Preferred installation: Mount the torque bar and pump assembly to tractor with the chains going up providing support for the pump. The chains should be attached to the tractor vertically to avoid side loading or bending forces on the pump.

Mount the pump and torque bar assembly to the PTO shaft using an Ace Pump quick coupler BAC-10-RP6-QC or BAC-10-RP8-QC.

1. Attach the heavy torque chain to the tractor's frame with arm in horizontal position.
2. Attach the tensioning chain to the tractor's frame while applying tension to the spring.

Alternate installation: It is possible to mount the torque bar with the chain in the down position. For this orientation, rotate the pump mounting 180 degrees. Do not use the tension spring and double loop chain. Follow all other instructions.

1. Mount the pump and torque bar assembly to the PTO shaft using an Ace Pump quick coupler BAC-10-RP6-QC or BAC-10-RP8-QC.
2. Attach the torque chain to the tractor's frame with arm in horizontal position.

WARNINGS:



Do not attach chains to movable linkages.

Never modify the tractor's PTO safety shield(s).

Do not operate the pump without the tractor's PTO safety shield(s) in place.

PARTS LIST

REF. #	PART NUMBER	EDP #	DESCRIPTION	REQ.
1	RP-TBK-87-20	15115	Chain, tensioning, double link	1
2	RP-TBK-5	15110	Spring, drawbar	1
3	RP-TBK-1	15105	Torque bar	1
4	42237	42237	Cap screw, 5/16"-18 x 1-3/8"	3
5	20730	20730	Washer, flat	1
6	BAC-63	41260	Nut, self-locking	1
7	RP-TBK-87-18	15120	Chain, torque	1

