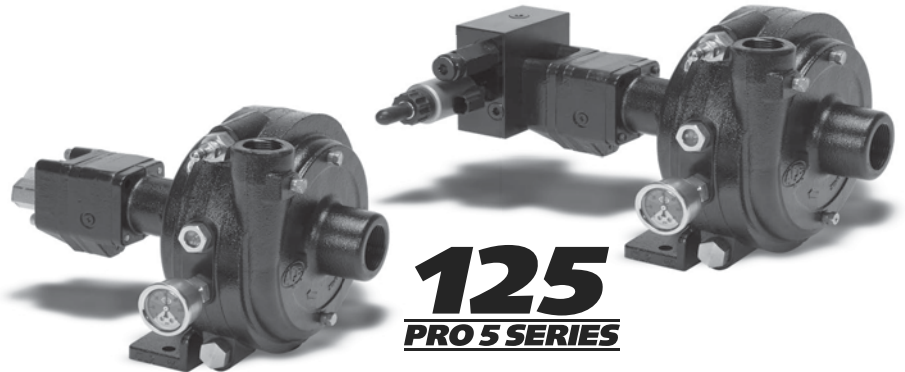




FMCWS-125-HYD Series High Performance Hydraulic Motor Driven Centrifugal Pump

The Pro 5 Series has the same compact, close coupled design that you have come to expect with several new features to maximize life and reliability. E-coat corrosion protection and larger bearings provide longer life. Oasis™ Wet Seal Technology prevents run dry failure and isolates seals from harsh chemicals. Interchangeability of parts within the Pro 5 Series simplifies stock and reduces inventory needed for field support.



125
PRO 5 SERIES

SPECIFICATIONS

Pump Specifications

Ports	1-1/4" x 1" NPT	
Max. Flow	92 GPM (350 LPM) for 204	110 GPM (416 LPM) for 206
Max. Pressure	120 PSI (8.3 BAR)	
Construction	E-coated Cast Iron	
Seal	Carbon ceramic / FKM	
Shaft	Stainless Steel	
Bearings	Sealed for long life	
Impeller	Thermoplastic with Stainless Steel Hub	
Wear Ring	Stainless Steel	

Motor Specifications

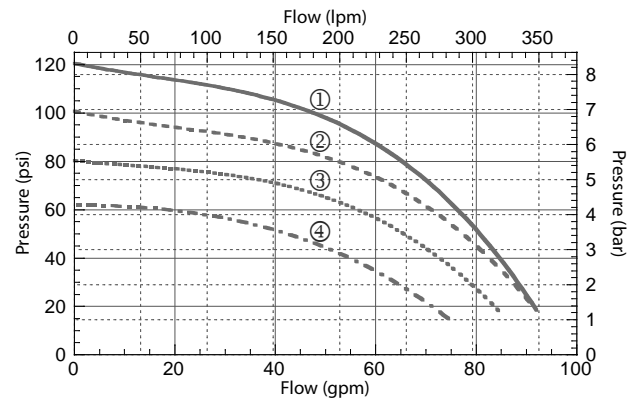
Type	High Efficiency Close Coupled Gear Motor		
Seal	High Pressure Double Lip Teflon		
Internal Coasting Check	Prevents Damaging Pressure Spikes when Turned Off		
Size	-204	-206	-206 PWM
Maximum Flow	4 GPM(15.1 LPM)	7 GPM (26.5 LPM)	
Maximum Pressure	2650 PSI (180 BAR)	2700 PSI (186 BAR)	
Bypass Needle	Up to 9 GPM (34 LPM)	Up to 9 GPM (34 LPM)	Not included
Use on HYD Systems	PC, LS, and OC	PC, LS, and OC	PC & LS
External Reverse Check	✓	✓	✓
	1/2" FNPT	1/2" FNPT	#10 SAE
Inlet Adapter / Restrictor Body 1/2" FNPT	✓	✓	✗
Restrictor Insert	✓	✓	✗
-206 PWM	Integrated 12V Proportional Control Valve and Pressure Relief Valve for use in Precision Applications using Pulse Width Modulated control systems.		
Case Drain (Option)	Available	Available	Not Available
Flow Limiter (Optional)	LS-204N	LS-206N	Do not use

Available Models

FMCWS-125-HYD-204	FMCWS-125-HYD-206
FMCWS-125-HYD-206-PWM	

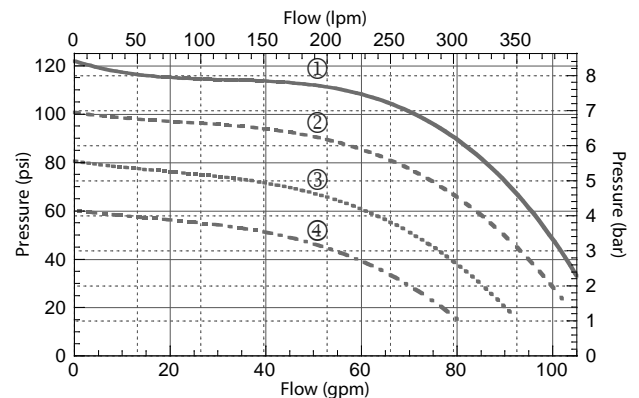
PERFORMANCE

FMCWS-125-HYD-204



CURVE	-204	
1	4.3 GPM	16.3 LPM
2	3.8 GPM	14.4 LPM
3	3.4 GPM	12.9 LPM
4	3.0 GPM	11.4 LPM

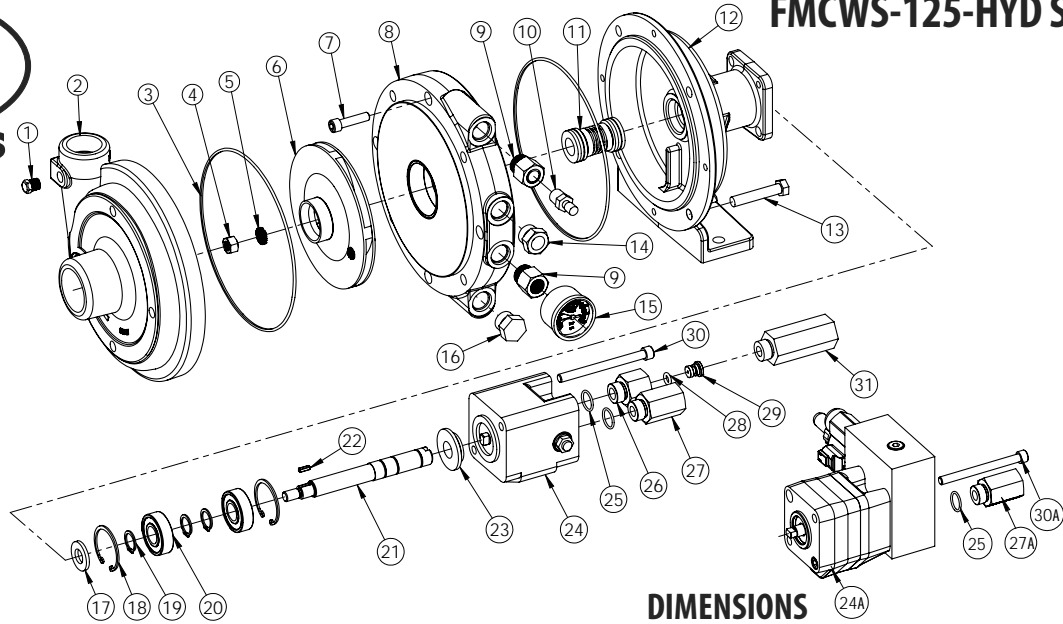
FMCWS-125-HYD-206



CURVE	-206	
1	6.8 GPM	25.7 LPM
2	5.9 GPM	22.3 LPM
3	5.2 GPM	19.7 LPM
4	4.3 GPM	16.3 LPM



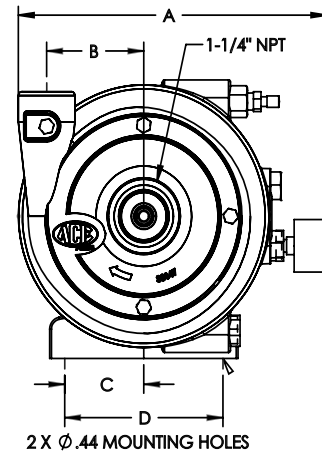
FMCWS-125-HYD Series



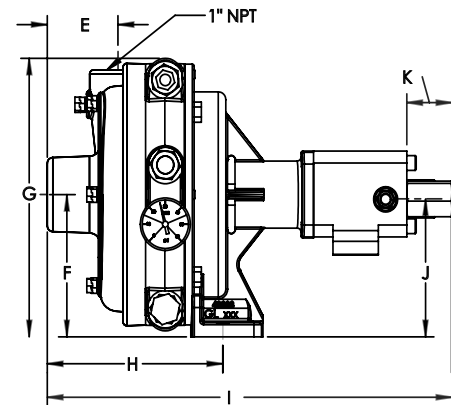
PARTS LIST

REF. #	PART NUMBER	EDP #	DESCRIPTION	REQ.
1	BAC-53	41100	Pipe plug	4
1	41120	41120	Pipe plug, stainless steel (optional)	4
2	BAC-12-125	30147	Volute, 1-1/4" NPT X 1" NPT	1
3 [Ⓛ]	BAC-4-150	40015	O-ring, body seal	2
4	BAC-23-B-SS	40393	Nut, 3/8" NF, SS	1
5	BAC-24-B-SS	42702	Washer, 3/8" SS, vibration proof	1
6	BAC-26-125-P	40444	Impeller, thermoplastic, keyway	1
7	72762	72762	Bolt, 5/16"-18 x 1-1/4", socket head, SS	4
8	BAC-16	45285	Seal plate, cast iron, e-coated	1
9	41107	41107	Bushing, #8 SAE x 1/4" FNPT, with o-ring	2
10	41316	41316	Air valve, 1/4" NPT	1
11 [Ⓛ]	BAC-7-WS	40139	Seal, dual seal assembly, Type 21. 5/8" shaft	1
12	BAC-14-5-HYD	40288	Mounting frame, cast iron, e-coated	1
13	BAC-42	40970	Cap screw, 5/16"-16 x 2", hex head	4
14	55851	55851	Sight gauge, #8 SAE, with o-ring	1
15	50150	50150	Pressure gauge, 0-160 PSI, 1/4" NPT	1
16	41108	41108	Plug, #8 SAE, hex head, with o-ring	1
17	BAC-54	41130	Slinger	1
18	BACH-33	40820	Snap ring, internal, mounting frame	2
19	BACH-32-HD	40385	Snap ring, external, shaft	3
20	40880	40880	Bearing	2
21	BAC-6-125-HYD-SS-WS	41581	Shaft, .625 DIA, 125-155, SS, WS	1
22	BACH-25	40420	Key, 1/8" x 1/8" x 7/16" SS	1
23	S255	40177	Seal support spacer	1
24	BAC-75-HYD-204-PRO5	41325	Hydraulic motor, 4 GPM (includes 25-30)	1
24	BAC-75-HYD-206-PRO5	41329	Hydraulic motor, 7 GPM (includes 25-30)	1
24A	BAC-75-HYD-206-PRO5-PWM	41290	HYD motor, integrated PWM valve, 7GPM (includes 27A, 30A)	1
25	41875	41875	O-ring, #8 SAE fitting	2
26	BAC-80-8SAE	41455	Body, restrictor orifice, #8 SAE x 1/2" NPT, w/ O-ring	1
27	BAC-78-8SAE	41441	Reverse check assembly, #8 SAE x 1/2" NPT, w/ O-ring	1
27A	BAC-78-10X8SAE	41462	Reverse check assembly, #10 SAE x 8 SAE, w/ O-ring	1
28	41448	41448	O-ring, restrictor	1
29	BAC-79-5	41457	Orifice, restrictor insert (204), w/ O-ring	1
29	BAC-79-7	41456	Orifice, restrictor insert (206), w/ O-ring	1
30	41252	41252	Cap screw, 5/16" NC x 3-1/2" socket head, SS (for 204 motor)	2
30	41259	41259	Cap screw, 5/16" NC x 3-3/4" socket head, SS (for 206 motor)	2
30A	41263	41263	Cap screw, 5/16" NC x 5-1/2" socket head, SS (for 206-PWM motor)	2
31	LS-204N	41417	Flow limiting valve, #8 MSAE x 1/2" FNPT (204) (optional)	1
31	LS-206N	41418	Flow limiting valve, #8 MSAE x 1/3" FNPT (206) (optional)	1
*32 [Ⓛ]	55032	55032	Barrier fluid, quart	-
Ⓛ	RK-FMCWS-PRO5	52728	Repair kit, includes items 3 (2 each), 11, and 32	-
*	RK-BAC-75-HYD-L	41374	Repair kit; 200 series hyd motor with high pressure lip seal	-

DIMENSIONS



2 X Ø.44 MOUNTING HOLES



Ref.	A	B	C	D	E	F	G	H	K
Inches	10.20	3.22	2.63	5.25	2.35	3.94	8.65	6.1	1.5
MM	259.1	81.8	66.8	133.4	59.7	100.1	219.7	154.9	38.1

	-204		-206		-206-PWM	
Ref.	I	J	I	J	I	J
Inches	14.07	4.04	12.12	4.28	14.09	5.13
MM	357.4	102.6	307.8	108.7	357.9	130.3

* Not shown in parts diagram

Ace Pump Corporation • 1650 Channel Avenue • Memphis, TN 38113
www.AcePumps.com • Phone: 901-948-8514 • Fax: 901-774-6147

3D Model Available
<https://www.3DContentCentral.com/parts/supplier/Ace-Pumps.aspx>