



Hydraulic Motor Driven OASISTM Wet Seal Centrifugal Pump

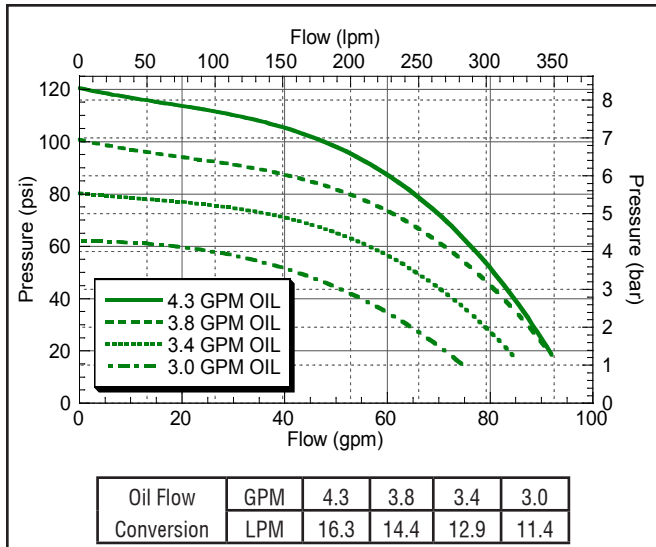


FMCWS-125-HYD-204

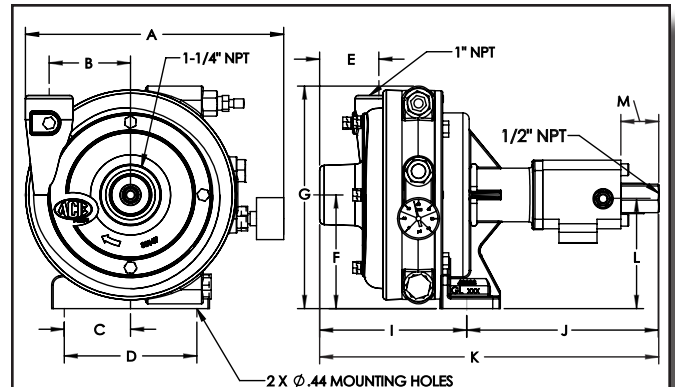
- Suction 1-1/4" NPT x Discharge 1" NPT
- WetSeal Technology
 - Prevents Run Dry Failures
 - Isolates Seals from Abrasive Chemicals and Fertilizers
- High Efficiency Gear Motor Requires 4 GPM (15.1 LPM) Hydraulic Flow
- Integral Needle Valve Bypasses Up To 9 GPM (34 LPM) on Open Center Systems
- Chemical Resistant Thermoplastic Impeller
- Stainless Steel Shaft, Wear Rings and Impeller Hardware
- E-coat Corrosion Protection
- Optional Case Drain



PERFORMANCE CHART



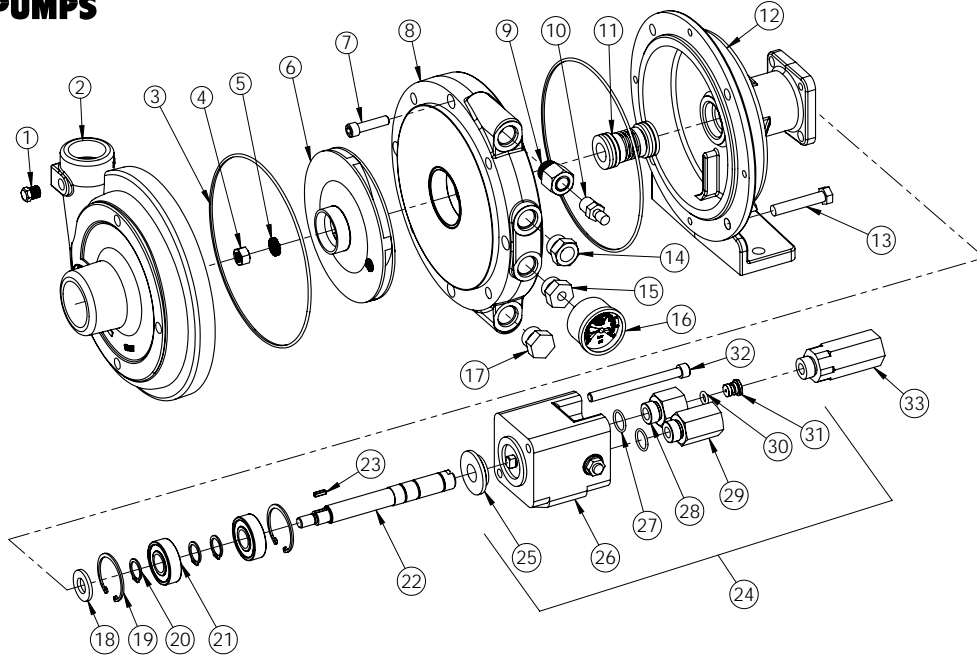
DIMENSIONS



	A	B	C	D	E	F	G	I	J	K	L	M
INCHES	10.22	3.22	2.63	5.25	2.35	3.94	8.65	6.1	5.82	11.93	4.36	1.5
MM	259.6	81.8	66.8	133.4	59.7	100.1	219.7	154.9	147.8	303	110.7	38.1



FMCWS-125-HYD-204



REF. #	PART NUMBER	EDP #	DESCRIPTION	REQ.
1	BAC-53	41100	Pipe plug	4
1	41120	41120	Pipe plug, stainless steel (optional)	4
2	BAC-12-125	30147	Volute, 1-1/4" NPT X 1" NPT	1
3 ^①	BAC-4-150	40015	O-ring, body seal	2
4	BAC-23-B-SS	40393	Nut, 3/8" NF, SS	1
5	BAC-24-B-SS	42702	Washer, 3/8" SS, vibration proof	1
6	BAC-26-125-P	40444	Impeller, thermoplastic, keyway	1
7	72762	72762	Bolt, 5/16"-18 x 1-1/4", socket head, SS	4
8	BAC-16	45285	Seal plate, cast iron. E-coated	1
9	41107	41107	Bushing, #8 SAE x 1/4" FNPT, with o-ring	1
10	41316	41316	Air valve, 1/4" NPT	1
11 ^①	BAC-7-WS	40139	Seal, dual seal assembly, Type 21, 5/8" shaft	1
12	BAC-14-5-HYD	40288	Mounting frame, cast iron, e-coated	1
13	BAC-42	40970	Cap screw, 5/16"-16 x 2", hex head	4
14	55851	55851	Sight gauge, #8 SAE, with o-ring	1
15	44039	44039	Bushing, #8 SAE x 1/8" FNPT, with o-ring	1
16	50150	50150	Pressure gauge, 0-60 PSI, 1/8" NPT	1
17	41108	41108	Plug, #8 SAE, hex head	1
18	BAC-54	41130	Slinger	1
19	BACH-33	40820	Snap ring, internal, mounting frame	2
20	BACH-32-HD	40385	Snap ring, external, shaft	3
21	40880	40880	Bearing	2
22	BAC-6-125-HYD-SS-WS	41581	Shaft, .625 DIA, 125-155, SS, WS	1
23	BACH-25	40420	Key, 1/8" x 1/8" x 7/16" SS	1
24	BAC-75-HYD-2045	41322	Hydraulic motor, 4 GPM (includes parts 25 - 32)	1
25	S255	40177	Seal support spacer	1
26	BAC-75-HYD-204N5	41325	Hydraulic motor, 4 GPM (motor only - no external fittings)	1
27	41875	41875	O-ring, #8 SAE fitting	2
28	BAC-80-8SAE	41455	Body, restrictor orifice, #8 SAE x 1/2" NPT, w/ O-ring	1
29	BAC-78-8SAE	41441	Reverse check assembly, #8 SAE x 1/2" NPT, w/ O-ring	1
30	41448	41448	O-ring, restrictor	1
31	BAC-79-5	41457	Orifice insert, restrictor, w/ O-ring	1
32	41252	41252	Cap screw, 5/16" NC x 3-1/2" socket head, SS	2
33	LS-204N	41417	Flow limiting valve, #8 SAE male x 1/2" NPT female, w/ o-ring	1
34 ^{①*}	55032	55032	Barrier fluid, quart	1
①	RK-FMCWS	52728	Repair kit, includes items 3 (2 each), 11, and 33	-
*	RK-BAC-75-HYD-L	41374	Repair kit; 200 series hyd motor with high pressure lip seal	-

* Not shown