



FM CSC-255F-HYD Series High Performance Hydraulic Motor Driven Centrifugal Pump

The Pro 5 Series has the same compact, close coupled design that you have come to expect with several new features to maximize life and reliability. E-coat corrosion protection and larger bearings provide longer life. A Severe duty silicon carbide seal resists abrasive scratching and transfers heat away from the faces for improved survival during short run-dry events. Interchangeability of parts within the Pro 5 Series simplifies stock and reduces inventory needed for field support.



SPECIFICATIONS

Pump Specifications

Ports	300 x 220 Flange	
Max. Flow	260 GPM (984 LPM) for 304	260 GPM (984 LPM) for 306
Max. Pressure	120 PSI (8.3 BAR) for 304	130 PSI (9.0 BAR) for 306
Construction	E-coated Cast Iron	
Seal	Carbon ceramic / FKM	
Shaft	Stainless Steel	
Bearings	Sealed for long life	
Impeller	Thermoplastic with Stainless Steel Hub	
Wear Ring	Stainless Steel	

Motor Specifications

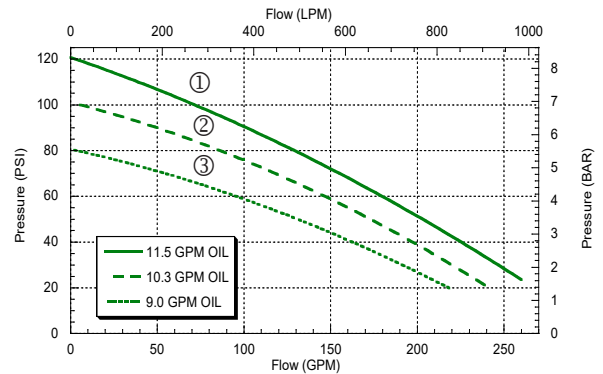
Type	High Efficiency Close Coupled Gear Motor		
Seal	High Pressure Double Lip Teflon		
Internal Coasting Check	Prevents Damaging Pressure Spikes when Turned Off		
Size	-304	-304 PWM	-306
Maximum Flow	11 GPM (41.6 LPM)	16.5 GPM (62.5 LPM)	
Maximum Pressure	2500 PSI (172.4 BAR)		2500 PSI (172.4 BAR)
Bypass Needle	Up to 9 GPM (34 LPM)	Not included	Up to 9 GPM (34 LPM)
Use on HYD Systems	PC, LS, and OC	PC, LS	PC, LS, and OC
External Reverse Check	✓	✓	✓
Inlet Adapter / Restrictor Body 1/2" FNPT	1/2" FNPT	#10 SAE	1/2" FNPT
Restrictor Insert	✓	×	✓
-304 PWM	Integrated 12V Proportional Control Valve and Pressure Relief Valve for use in Precision Applications using Pulse Width Modulated control systems.		
Case Drain (Option)	Available	Not Available	Not Available
Flow Limiter (Optional)	LS-304N	Do not use	--

Available Models

FM CSC-255F-HYD-304	FM CSC-255F-HYD-304-PWM
FM CSC-255F-HYD-306	

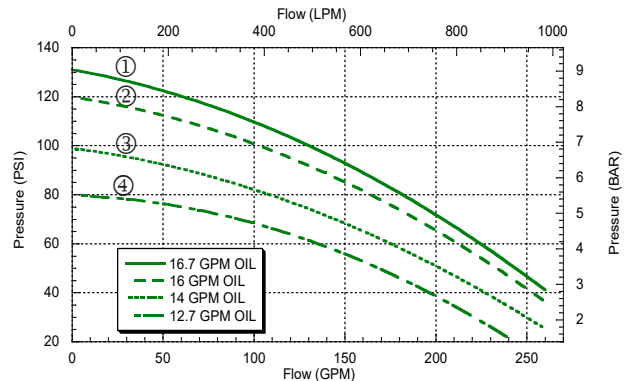
PERFORMANCE

FM CSC-255F-HYD-304



CURVE	-304	
1	11.5 GPM	43.5 LPM
2	10.3 GPM	39.0 LPM
3	9.0 GPM	34.1 LPM

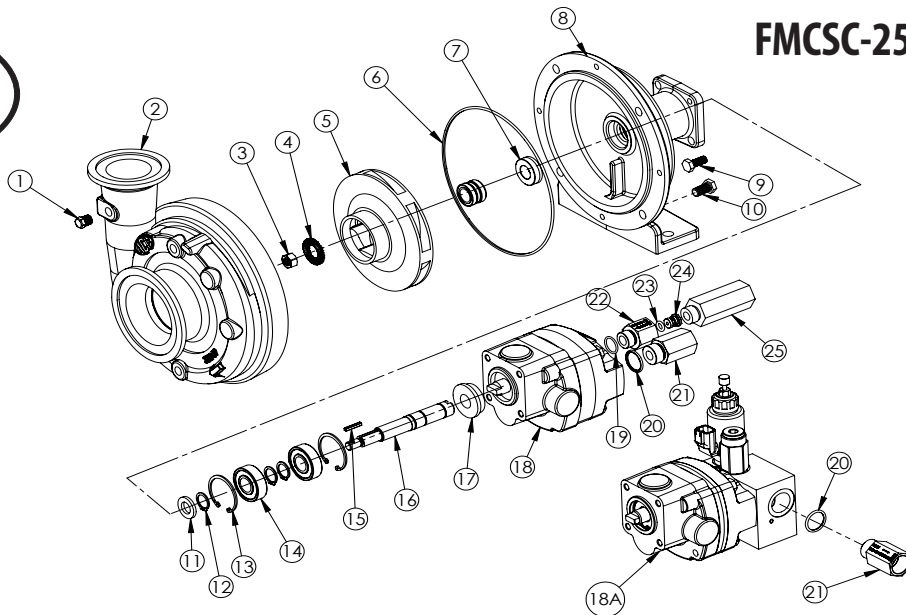
FM CSC-255F-HYD-306



CURVE	-306	
1	16.7 GPM	63.2 LPM
2	16.0 GPM	60.6 LPM
3	14.0 GPM	53.0 LPM
4	12.7 GPM	48.1 LPM



FMSC-255F-HYD Series

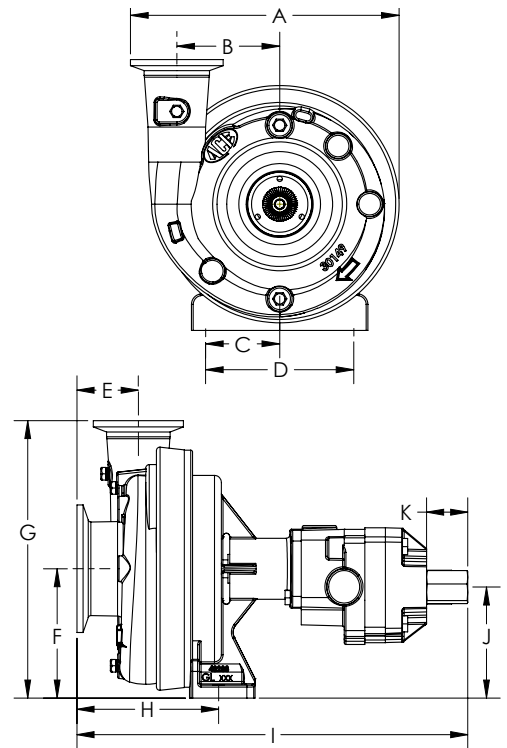


PARTS LIST

REF. #	PART NUMBER	EDP #	DESCRIPTION	REQ.
1	BAC-53	41100	Pipe plug	4
1	41120	41120	Pipe plug, stainless steel (optional)	4
2	BAC-12-255-FLG	30149	Volute, cast iron, 300 x 220 flanged, E-coated	1
3	BAC-23-B-SS	40393	Nut, 3/8" NF, SS	1
4	BAC-24-B-SS	42702	Washer, 3/8" SS, vibration proof	1
5	BAC-26-200-P	40434	Impeller, thermoplastic, keyway	1
5	BAC-26-200-CI	40433	Impeller, cast iron, keyway (optional)	1
5	BAC-26-200-SS	40436	Impeller, stainless steel, keyway (optional)	1
6 [Ⓞ]	BAC-4-150	40015	O-ring, body seal	1
7 [Ⓞ]	BAC-7SC-205V	40149	Seal, type 2106 silicon carbide mechanical seal	1
8	BAC-14-5-HYD	40288	Mounting frame, cast iron, e-coated	1
9	41330	41330	Cap screw, 5/16" NC x 3/4"	2
10	40950	40950	Cap screw, 3/8" NC x 3/4" hex head	4
10	40930	40930	Cap screw, 3/8" NC x 3/4" hex head, stainless steel (optional)	4
11	BAC-54	41130	Slinger	1
12	BACH-32-HD	40385	Snap ring, external, shaft	3
13	BACH-33	40820	Snap ring, internal, mounting frame	2
14	40880	40880	Bearing	2
15	BAC-25	40425	Key, 1/8" x 1/8" x 13/16" SS	1
16	BAC-6-255-HYD-SS	41584	Shaft, .625 DIA, 255, SS	1
17	S305	40163	Seal support spacer (304N)	1
18	BAC-75-HYD-304	41343	Hydraulic motor, 9 GPM (includes 17,18, 19,20,21,22,23, 24)	1
18	BAC-75-HYD-306	41312	Hydraulic motor, 16.5 GPM (includes 17,18B, 19,20,21,22,23, 24A)	1
18A	BAC-75-HYD-304-PWM	41348	Hydraulic motor, integrated PWM valve, 9 GPM (includes 17,18A,20,21A)	1
19	41875	41875	O-ring, #8 SAE fitting	1
20	41445	41445	O-ring, #10 SAE fitting	1
21	BAC-78-10SAE	41442	Reverse check assembly, #10 SAE x 1/2" NPT, w/ O-ring	1
21A	BAC-78-10X10SAE	41467	Reverse check assembly, #10 SAE x #10 SAE, w/ O-ring (optional)	1
22	BAC-80-8SAE	41455	Body, restrictor orifice, #8 SAE x 1/2" NPT, w/ O-ring	1
23	41448	41448	O-ring, restrictor	1
24	BAC-79-8	41447	Orifice insert, restrictor, w/ O-ring (304) (Do not use with 304-PWM)	1
24A	BAC-79-9	41449	Orifice insert, restrictor, w/ O-ring (306)	1
25	LS-304N	41429	Flow limiting valve, #8 MSAE x 1/2" FNPT (304) (optional)	1
Ⓞ	RK-FMCS-PRO5	52717	Repair kit, includes items 6 and 7	-
*	RK-BAC-75-HYD-300-L	41362	Repair kit; 300 series hyd motor with high pressure lip seal	-

* Not shown in parts diagram

DIMENSIONS



Ref.	A	B	C	D	E	F	G	H	K
Inches	9.51	3.65	2.63	5.25	2.14	4.50	8.81	6.36	1.50
MM	241.6	92.7	66.8	133.4	54.4	114.3	223.8	161.5	38.1

		-304		-304-PWM	
Ref.	I	J	I	J	
Inches	14.24	3.86	14.39	3.88	
MM	361.7	98.0	365.5	98.5	

		-306	
Ref.	I	J	
Inches	14.42	3.86	
MM	366.3	98.0	

3D Model Available

<https://www.3DContentCentral.com/parts/supplier/Ace-Pumps.aspx>

Ace Form # FMSC-255F-HYD
03/22

Ace Pump Corporation • 1650 Channel Avenue • Memphis, TN 38113
www.AcePumps.com • Phone: 901-948-8514 • Fax: 901-774-6147