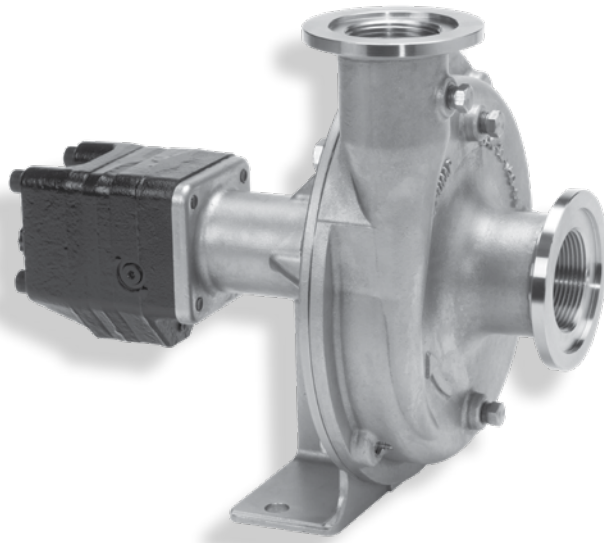




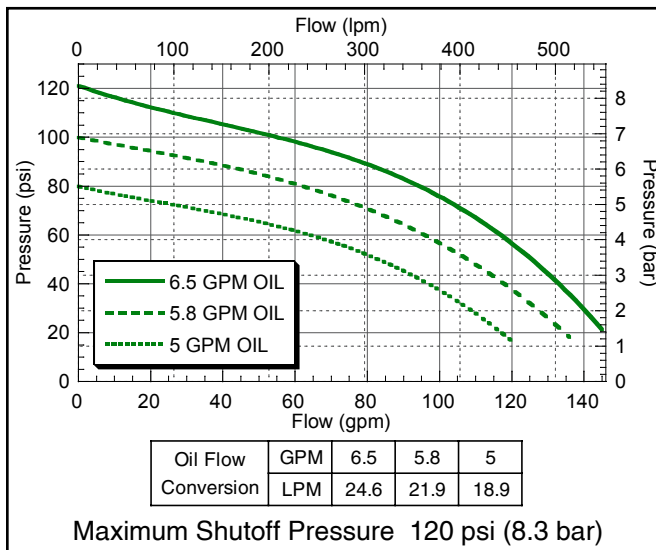
High Performance Hydraulic Motor Driven Centrifugal Pump

FMCS-155FS-HYD-206

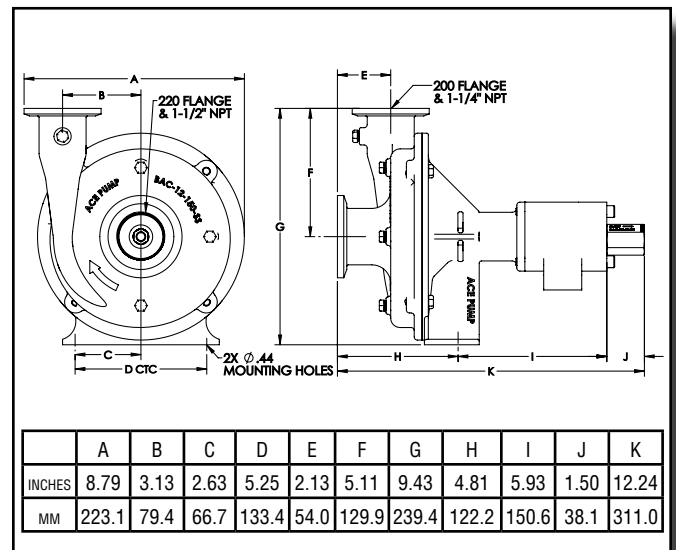


- Suction 220 Flange & 1-1/2" NPT
- Discharge 200 Flange & 1-1/4" NPT
- 316 Stainless Steel Housing
- Recommended for use on the following Hydraulic Systems:
 - ✓ Pressure Compensating Closed Center
 - ✓ Load Sensing or Pressure Flow Compensating Closed Center
 - ✓ Open Center up to 16 GPM (60.6 LPM)
- Integral Needle Valve bypasses up to 9 GPM (34 LPM) on Open Center Systems
- Severe Duty Silicon Carbide/Viton® Mechanical Seal with O-ring Seat for Improved Survivability
- Chemical Resistant Valox® Impeller and Optional Cast Iron, Stainless Steel, or Polypropylene available
- Stainless Steel Shaft

PERFORMANCE CHART



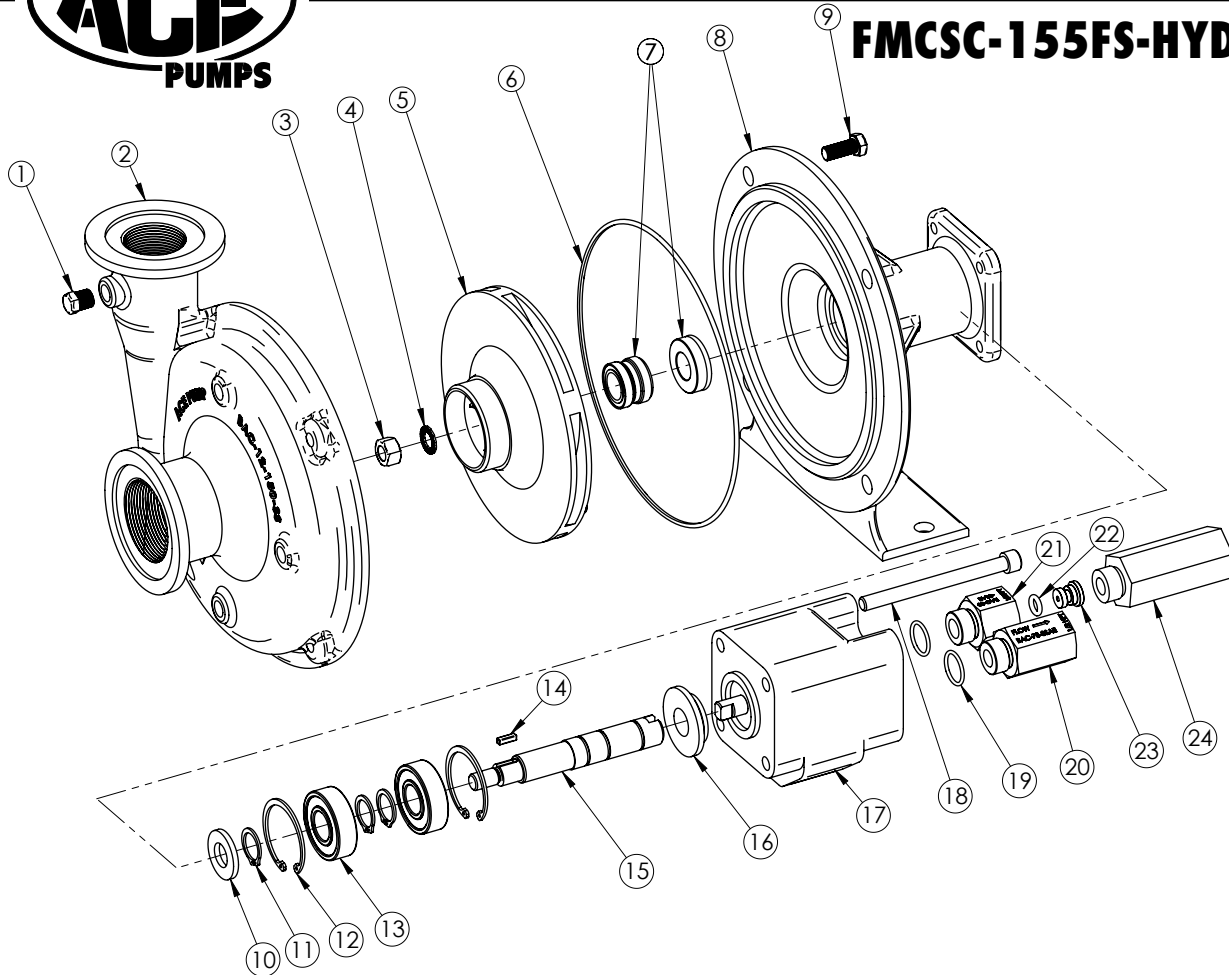
DIMENSIONS



Valox® is a registered trademark of SABIC.
Viton® is a registered trademark of DuPont.



FM CSC-155FS-HYD-206



REF. #	PART NUMBER	EDP #	DESCRIPTION	REQ.
1	41120	41120	Pipe plug, stainless steel	4
2	BAC-12-150-SS	40249	Volute, 316 stainless steel , NPT & flanged	1
3	BAC-23-B-SS	40393	Nut, 3/8" NF, stainless steel	1
4	BAC-24-B-SS	42702	Washer, 3/8", stainless steel, vibration proof	1
5	BAC-26-150-P	40446	Impeller, Valox, keyway	1
5	BAC-26-150-CI	40445	Impeller, cast iron, keyway (optional)	1
5	BAC-26-150-PI	40448	Impeller, polypropylene, keyway (optional)	1
5	BAC-26-150-SS	40449	Impeller, 316 stainless steel, keyway (optional)	1
6 ^⓪	BAC-4-150	40015	O-ring, body seal	1
7 ^⓪	BAC-7SC-205V	40149	Seal, silicon carbide/Viton	1
8	BAC-14-155-HYD-SS	40348	Mounting frame, 316 stainless steel	1
9	40930	40930	Cap screw, 3/8" NC x 3/4" hex head, stainless steel	4
10	BAC-54	41130	Slinger	1
11	BACH-32-HD	40385	Snap ring, external, shaft	3
12	BACH-33	40820	Snap ring, internal, mounting frame	2
13	40880	40880	Ball bearing, sealed	2
14	BACH-25	40420	Key, 1/8" x 1/8" x 1/2"	1
15	BAC-6-155-HYD-SS	40072	Shaft, 5/8" diameter, keyway and tang slot, stainless steel	1
16	S255	40177	Seal support spacer for 200 Series HYD motor	1
17	BAC-75-HYD-206N5	41329	Hydraulic motor, 7 GPM (motor only - no external fittings)	1
18	41255	41255	Cap screw, 5/16" N. C. x 3-3/4" socket head (for 206N motor)	4
19	41875	41875	O-ring, #8 SAE fitting	2
20	BAC-78-8SAE	41441	Reverse check valve, #8 SAE male x 1/2" NPT female	1
21	BAC-80-8SAE	41455	Adapter, restrictor body, #8 SAE male x 1/2" NPT female	1
22	41448	41448	O-ring, orifice insert	1
23	BAC-79-7	41456	Orifice, restrictor insert, .109 (206N)	1
24	LS-206N	41418	Flow limiting valve (206N), #8 SAE male x 1/2" NPT female (optional)	-
⓪	RK-FM CSC-155	52713	Repair kit for FM-155 series with silicon carbide shaft seal	-
#	RK-BAC-75-HYD-L	41374	Repair kit for 200 Series motor	-