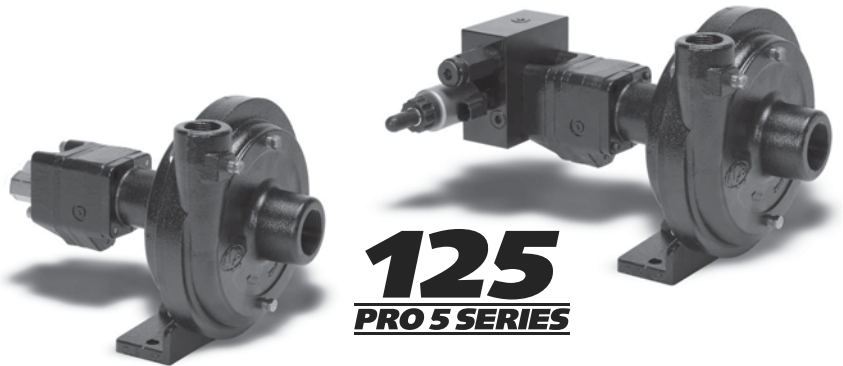




FMCS-125-HYD Series High Performance Hydraulic Motor Driven Centrifugal Pump

The Pro 5 Series has the same compact, close coupled design that you have come to expect with several new features to maximize life and reliability. E-coat corrosion protection and larger bearings provide longer life. A Severe duty silicon carbide seal resists abrasive scratching and transfers heat away from the faces for improved survival during short run-dry events. Interchangeability of parts within the Pro 5 Series simplifies stock and reduces inventory needed for field support.



SPECIFICATIONS

Pump Specifications

Ports	1" x 1-1/4" NPT	
Max. Flow	92 GPM (350 LPM) for 204	110 GPM (416 LPM) for 206
Max. Pressure	120 PSI (8.3 BAR)	
Construction	E-coated Cast Iron	
Seal	Silicon Carbide / FKM with O-ring Seat	
Shaft	Stainless Steel	
Bearings	Sealed for long life	
Impeller	Thermoplastic with Stainless Steel Hub	
Wear Ring	Stainless Steel	

Motor Specifications

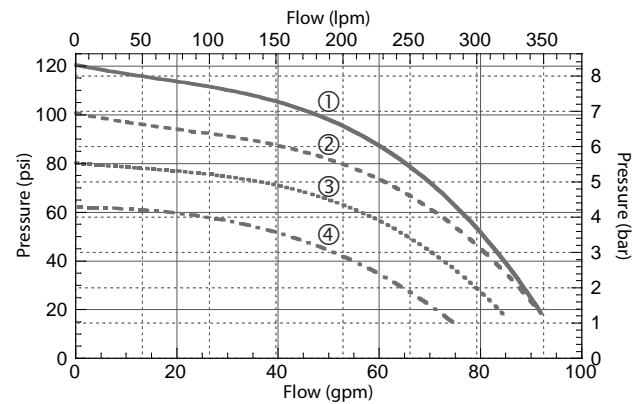
Type	High Efficiency Close Coupled Gear Motor		
Seal	High Pressure Double Lip Teflon		
Internal Coasting Check	Prevents Damaging Pressure Spikes when Turned Off		
Size	-204	-206	-206 PWM
Maximum Flow	4 GPM (15.1 LPM)	7 GPM (26.5 LPM)	
Maximum Pressure	2650 PSI (180 BAR)	2700 PSI (186 BAR)	
Bypass Needle	Up to 9 GPM (34 LPM)	Up to 9 GPM (34 LPM)	Not included
Use on HYD Systems	PC, LS, and OC	PC, LS, and OC	PC & LS
External Reverse Check	✓	✓	✓
	1/2" FNPT	1/2" FNPT	#10 SAE
Inlet Adapter / Restrictor Body 1/2" FNPT	✓	✓	×
Restrictor Insert	✓	✓	×
-206 PWM	Integrated 12V Proportional Control Valve and Pressure Relief Valve for use in Precision Applications using Pulse Width Modulated control systems.		
Case Drain (Option)	Available	Available	Not Available
Flow Limiter (Optional)	LS-204N	LS-206N	Do not use

Available Models

FMCS-125-HYD-204	FMCS-125-HYD-206
FMCS-125-HYD-206-PWM	

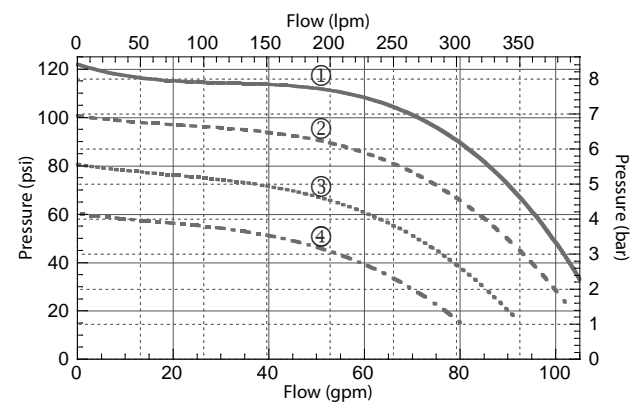
PERFORMANCE

FMCS-125-HYD-204



CURVE	-204	
1	4.3 GPM	16.3 LPM
2	3.8 GPM	14.4 LPM
3	3.4 GPM	12.9 LPM
4	3.0 GPM	11.4 LPM

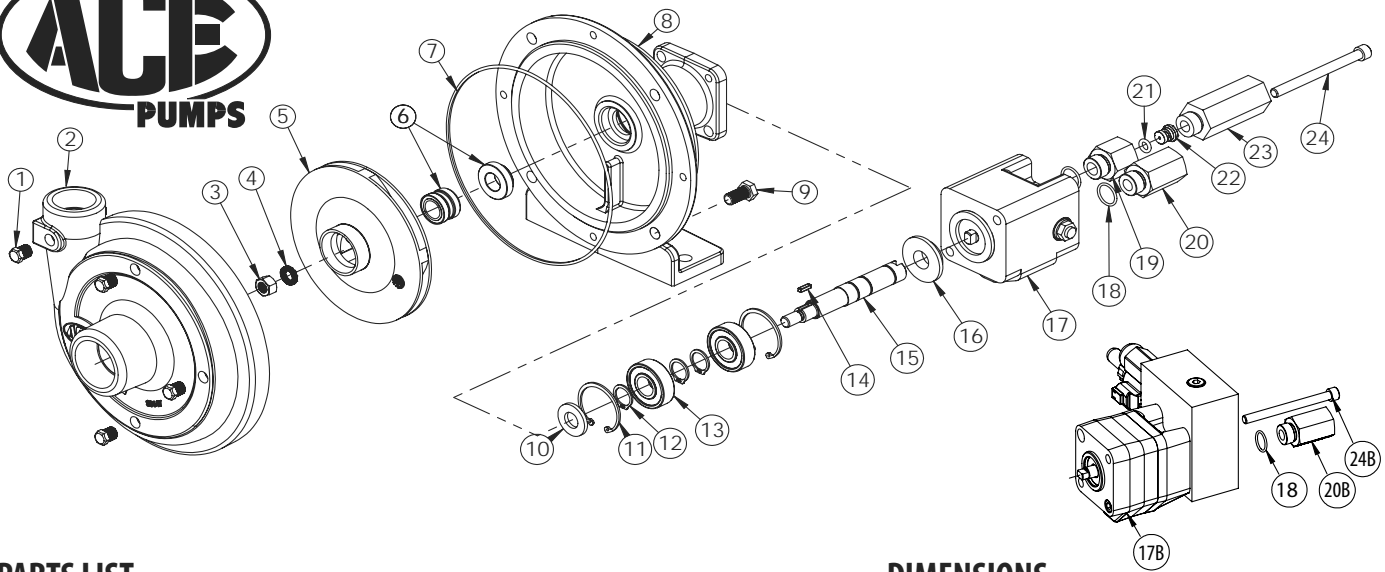
FMCS-125-HYD-206



CURVE	-206	
1	6.8 GPM	25.7 LPM
2	5.9 GPM	22.3 LPM
3	5.2 GPM	19.7 LPM
4	4.3 GPM	16.3 LPM



FM CSC-125-HYD Series



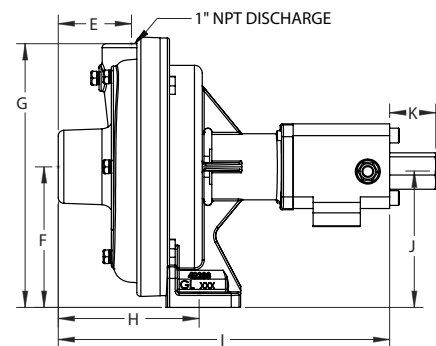
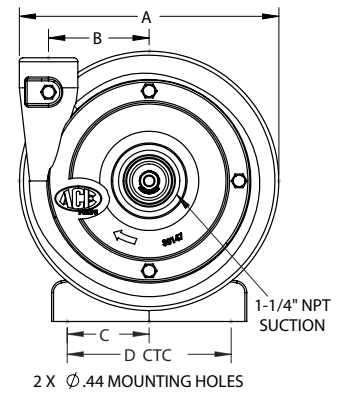
PARTS LIST

REF. #	PART NUMBER	EDP #	DESCRIPTION	REQ.
1	BAC-53	41100	Pipe plug	4
1	41120	41120	Pipe plug, stainless steel (optional)	4
2	BAC-12-125	30147	Volute, 1-1/4" NPT X 1" NPT	1
3	BAC-23-B-SS	40393	Nut, 3/8" NF, SS	1
4	BAC-24-B-SS	42702	Washer, 3/8" SS, vibration proof	1
5	BAC-26-125-P	40444	Impeller, thermoplastic, keyway	1
6 [Ⓛ]	BAC-75C-205V	40149	Seal, type 2106 silicon carbide mechanical seal	1
7 [Ⓛ]	BAC-4-150	40015	O-ring, body seal	1
8	BAC-14-5-HYD	40288	Mounting frame, cast iron, e-coated	1
9	40950	40950	Cap screw, 3/8" NC x 3/4" hex head	4
9	40930	40930	Cap screw, 3/8" NC x 3/4" hex head, stainless steel (optional)	4
10	BAC-54	41130	Slinger	1
11	BACH-33	40820	Snap ring, internal, mounting frame	2
12	BACH-32-HD	40385	Snap ring, external, shaft	3
13	40880	40880	Bearing	2
14	BACH-25	40420	Key, 1/8" x 1/8" x 7/16" SS	1
15	BAC-6-125-HYD-SS	41582	Shaft, .625 driven with tang slot, stainless steel	1
16	S255	40177	Seal support spacer	1
17	BAC-75-HYD-204-PRO5	41325	Hydraulic motor, 4 GPM (includes 17 - 22, 24)	1
17	BAC-75-HYD-206-PRO5	41329	Hydraulic motor, 7 GPM (includes 17 - 22, 24)	1
17B	BAC-75-HYD-206-PRO5-PWM	41290	Hydraulic motor, integrated PWM valve, 7 GPM (includes 17B, 20B, 24B)	1
18	41875	41875	O-ring, restrictor	2
19	BAC-80-8SAE	41455	Body, restrictor orifice, #8 SAE x 1/2" NPT, w/ O-ring	1
20	BAC-78-8SAE	41441	Reverse check assembly, #8 SAE x 1/2" NPT, w/ O-ring	1
20B	BAC-78-10X8SAE	41462	Reverse check assembly, #8 SAE x #10 SAE, w/ O-ring	1
21	41448	41448	O-ring, restrictor	1
22	BAC-79-5	41457	Orifice insert, restrictor, w/ O-ring (204)	1
22	BAC-79-7	41456	Orifice insert, restrictor, w/ O-ring (206) (Do not use with 206-PWM)	1
23	LS-204N	41417	Flow limiting valve, #8 MSAE x 1/2" FNPT (204) (optional)	1
23	LS-206N	41418	Flow limiting valve, #8 MSAE x 1/2" FNPT (206) (optional)	1
24	41252	41252	Cap screw, 5/16" NC x 3-1/2" socket head, SS (for 204 motor)	2
24	41259	41259	Cap screw, 5/16" NC x 3-3/4" socket head, SS (for 206 motor)	2
24B	41263	41263	Cap screw, 5/16" NC x 6" socket head, SS (for 206-PWM motor)	2
Ⓛ	RK-FM CSC-PRO5	52717	Repair kit, includes items 6 and 7	-
*	RK-BAC-75-HYD-L	41374	Repair kit; 200 series hyd motor with high pressure lip seal	-

* Not shown in parts diagram

Ace Pump Corporation • 1650 Channel Avenue • Memphis, TN 38113
www.AcePumps.com • Phone: 901-948-8514 • Fax: 901-774-6147

DIMENSIONS



Ref.	A	B	C	D	E	F	G	H	K
Inches	10.22	3.22	2.63	5.25	2.35	3.94	8.65	4.51	1.5
MM	259.6	81.8	66.8	133.4	59.7	100.1	219.7	114.6	38.1
	-204		-206		-206-PWM				
Ref.	I	J	I	J	I	J			
Inches	10.61	4.36	10.81	4.36	14.07	4.04			
MM	269.5	110.7	274.6	110.7	357.4	102.6			

3D Model Available

<https://www.3DContentCentral.com/parts/supplier/Ace-Pumps.aspx>