



Frame Mounted Centrifugal Pump



FMC-CW

- Suction 1-1/4" - Discharge 1"
- Clockwise Rotation when Facing Shaft End
- Stainless Steel Shaft and Wear Ring
- Chemical Resistant Valox® or Optional Cast Iron Impeller
- Standard Viton® Carbon/Ceramic seal or Optional Severe Duty Silicon Carbide Mechanical Seal

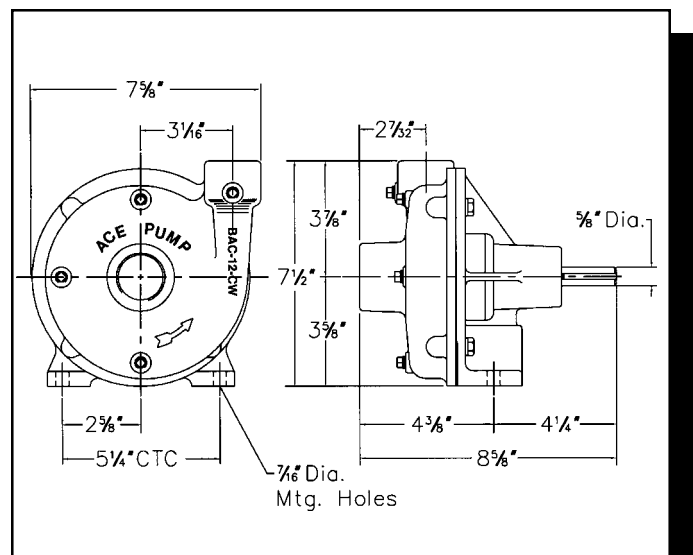
Valox® is a registered trademark of GE Plastics.
 Viton® is a registered trademark of DuPont Dow Elastomers.

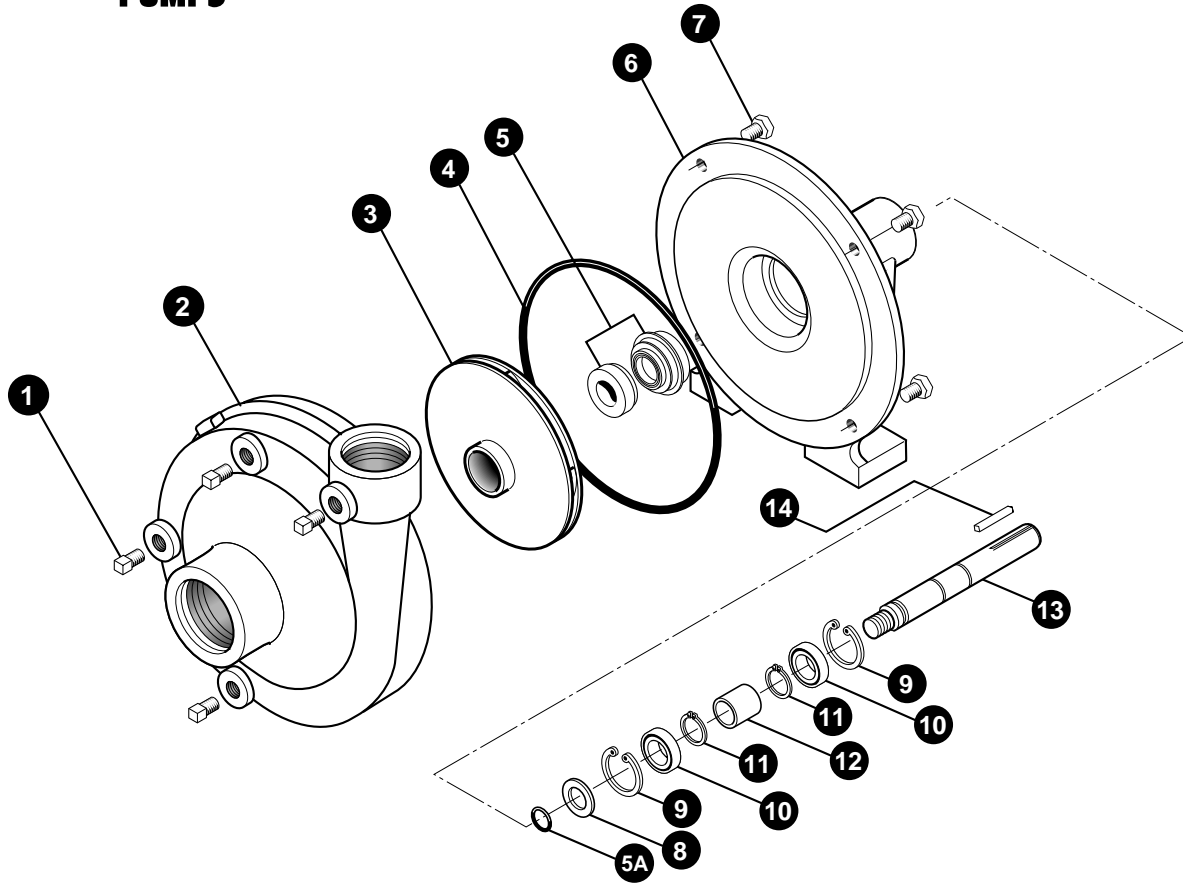
PERFORMANCE CHART

PUMP SHAFT RPM	20	40	60	80	100	120	140	160	MAX HP
	PSI	PSI	PSI	PSI	PSI	PSI	PSI	PSI	
	GPM	GPM	GPM	GPM	GPM	GPM	GPM	GPM	
3200	55	30	-	-	-	-	-	-	1.0
3800	63	50	20	-	-	-	-	-	1.7
4400	75	63	60	38	-	-	-	-	3.0
5000	75	68	62	57	45	10	-	-	4.2
6000	75	70	67	65	63	62	58	38	6.8

$$\frac{\text{Pump RPM}}{\text{Driveshaft RPM}} = \frac{\text{Drive Pulley Diameter}}{\text{Pump Pulley Diameter}}$$

DIMENSIONS





REF. #	PART #	EDP #	DESCRIPTION	REQ.
1	BAC-53	41110	Pipe plug, 1/8" NPT	3
1	41120	41120	Pipe plug, 1/8" NPT, stainless steel (optional)	3
2	BAC-12-CW	40253	Volute, 1-1/4" x 1", cast iron	1
3	BAC-26-CW-150-P	41510	Impeller, Valox, right hand NF thread	1
3	BAC-26-CW-150-CI	41515	Impeller, cast iron, right hand NF thread (optional)	1
*4	BAC-4A	40005	"O" Ring for BAC-12-CW volute seal	1
*5	BAC-7V	40151	Seal, Viton mechanical seal (includes 40160 "O" ring)	1
5	BAC-7SC	40152	Seal, Silicon carbide mechanical seal (includes 40160 "O" Ring)(optional)	1
5A	40160	40160	"O" Ring for BAC-6 shaft	1
6	BAC-14-F	40310	Mounting frame	1
7	40930	40930	Cap screw, 3/8" NC x 3/4" Hex head, stainless steel (optional)	4
7	40950	40950	Cap screw, 3/8" NC x 3/4" Hex head	4
8	BAC-54	41130	Slinger	1
9	BAC-33	40810	Snap ring, internal, BAC-14 mounting frame	2
10	BAC-37	40870	Bearing, BAC-6 driven shaft	2
11	BAC-32	40790	Snap ring, external, BAC-6 driven shaft	2
12	BAC-32-S	40795	Spacer for BAC-6 shaft	1
13	BAC-6-CW	41480	Shaft, 5/8" Driven shaft, right hand NF thread (optional)	1
13	BAC-6-CW-SS	41500	Shaft, 5/8" Driven shaft, right hand NF thread, stainless steel	1
14	BAC-50	41080	Key, 3/16" x 3/16" x 1-1/4"	1
#	RK-FMC	52700	Repair kit for FMC series	-

* Items included in pump repair kit.