



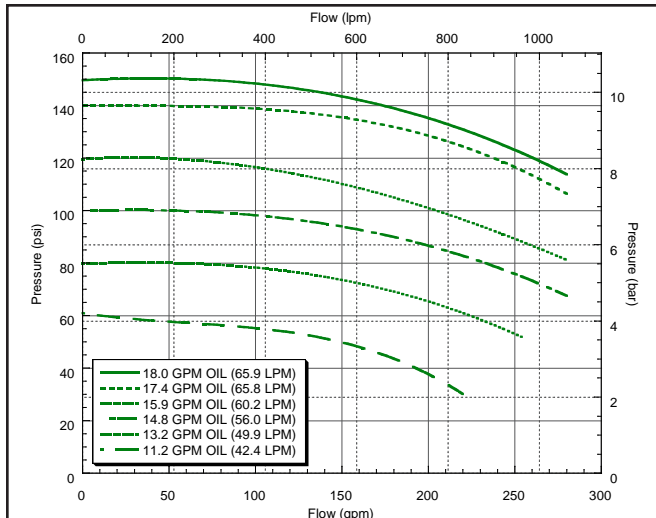
# High Performance OASIS<sup>TM</sup> Wet Seal Centrifugal Pump



## FMC-755FS-HYD

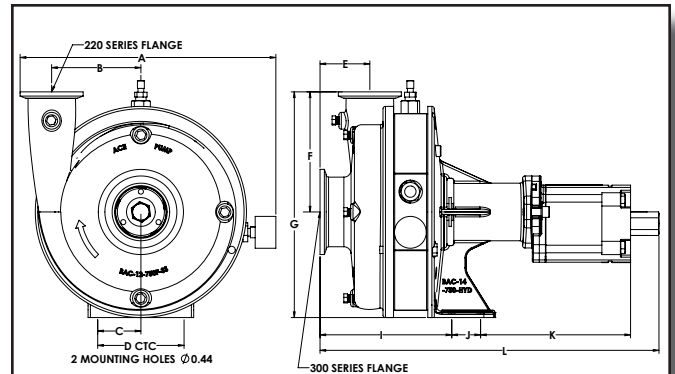
- Suction 300 Series Flange
- Discharge 220 Series Flange
- High Performance Pump
  - Maximum Flow 290 GPM (1098 LPM)
  - Maximum Pressure 150 PSI (10.3 BAR)
- WetSeal Technology
  - Prevents Run Dry Failures
  - Isolates Seals from Chemicals and Fertilizers
- Maximum Reliability
  - Operates at Lower RPM
  - Oversized Bearings
  - E-coat Corrosion Protection
  - High Efficiency 4000 PSI (275 BAR) Pressure Plated Gear Motor
  - Optional Case Drain Available

## PERFORMANCE CHART



Note: Performance for pump with M22 motor.

## DIMENSIONS

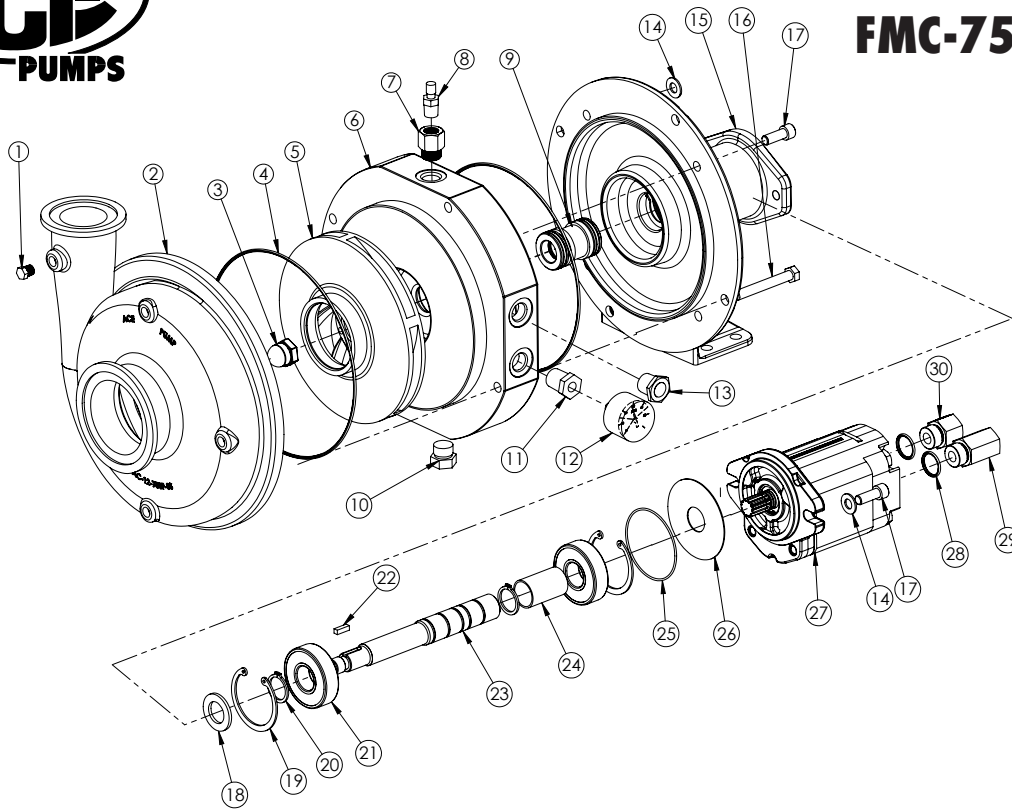


	A	B	C	D	E	F	G	I	J	K	L
INCHES	13.32	4.65	2.25	4.50	2.59	6.25	11.75	6.86	1.50	7.68	17.55
MM	338.3	118.1	57.2	114.3	65.8	158.8	298.5	174.2	38.1	195.1	445.8

Note: Dimensions for pump with M22 motor.



# FMC-755FS-HYD



REF. #	PART NUMBER	EDP #	DESCRIPTION	REQ.
1	41120	41120	Pipe plug, 1/8" NPT, SS	4
2	BAC-12-750-SS	30152	Volute, 300 X 220 flange, 316 stainless steel	1
3	40397	40397	Acorn nut, 5/8"-11 stainless steel	1
4 <sup>①</sup>	ACAL-4	30009	O-ring, volute seal	2
5	BAC-26-750-SS	30189	Impeller, 316 stainless steel	1
6	BAC-16-750-SS	45259	Seal plate, 316 stainless steel	1
7	41107	41107	Bushing, #8 SAE x 1/4" FNPT, hex head, with o-ring	1
8	41316	41316	Air valve, 1/4" NPT	1
9 <sup>①</sup>	BAC-7-750V	40147	Dual seal assembly	1
10	41108	41108	Plug, #8 SAE, hex head, with o-ring	1
11	44039	44039	Bushing, #8 SAE x 1/8" FNPT, hex head, with o-ring	1
12	50150	50150	Pressure gauge, 0-60 PSI, 1/8" NPT	1
13	55851	55851	Site gauge, #8 SAE, steel	1
14	42701	42701	Washer, 3/8", volute and motor mount	3
15	BAC-14-750-HYD	40333	Mounting frame, cast iron, e-coated	1
16	40952	40952	Cap screw, 3/8" NC x 2-1/2", hex head (volute)	4
17	41907	41907	Cap screw, 3/8" NC x 1", socket head (seal plate, motor mount)	6
18	BAC-54-650	41132	Slinger, 7/8" shaft	1
19	41943	41943	Snap ring, internal, frame	2
20	ACAL-32	30174	Snap ring, external, shaft	2
21	40875	40875	Ball bearing, sealed	2
22	41085	41085	Key, .188 x .188 x .875	1
23	BAC-6-750-HYD-SS-WS	40066	Shaft, 11T female spline, stainless steel	1
24	BAC-32-750	40793	Spacer, shaft	1
25	43419	43419	O-ring, flange, M Series motor	1
26	43414	43414	Pad, absorbent, M Series motor	1
27	BAC-75-HYD-M22	41355	Hydraulic motor, pressure plated gear type, 18 GPM	1
27	BAC-75-HYD-M25	41356	Hydraulic motor, pressure plated gear type, 20 GPM	1
28	41445	41445	O-ring, #10 SAE fitting	2
29	BAC-78-10SAE	41442	Reverse check, #10 SAE male x 1/2" NPT female	1
30	BAC-80-10SAE	41446	Body, adapter/restrictor, #10 SAE male x 1/2" NPT female	1
* 31 <sup>①</sup>	55032	55032	Barrier fluid, quart	1.64
①	RK-FMC-750	52724	Repair kit, includes items 4 (2 pcs.), 9, and 31 (2 qts.)	--

\* - not shown in parts diagram