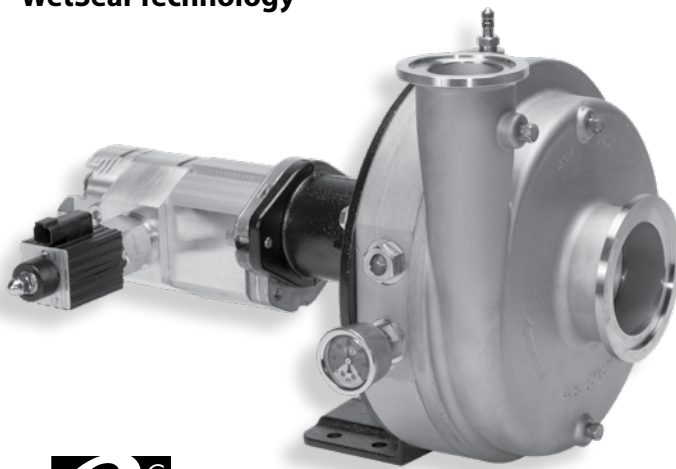




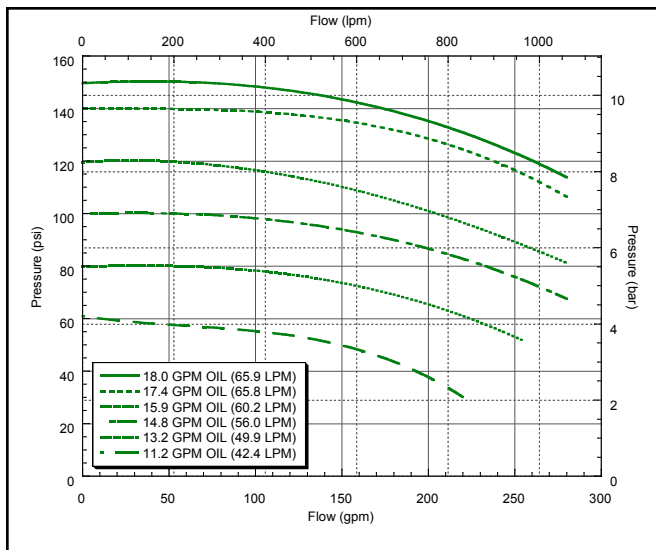
High Performance OASISTM Wet Seal Centrifugal Pump



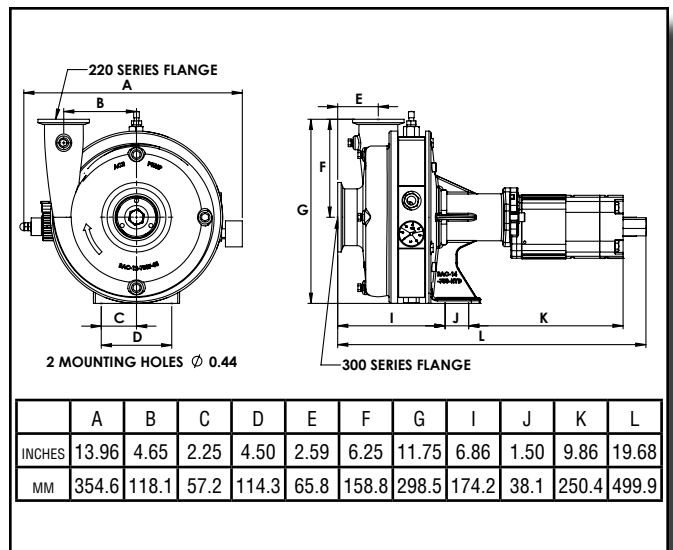
FMC-755FS-HYD-M22-PWM

- Suction 300 Series Flange
- Discharge 220 Series Flange
- FS Model - 316 Stainless Steel Volute, Seal Plate, and Impeller
- High Performance Pump
 - Maximum Flow 290 GPM (1098 LPM)
 - Maximum Pressure 150 PSI (10.3 BAR)
- Integrated Proportional 12V Control Valve for Precision Ag Applications Using Pulse Width Modulated (PWM) Control Signals
- WetSeal Technology
 - Prevents Run Dry Failures
 - Isolates Seals from Chemicals and Fertilizers
- Maximum Reliability
 - Oversized Bearings
 - E-coat Corrosion Protection
 - High Efficiency Pressure Plated Gear Motor

PERFORMANCE CHART

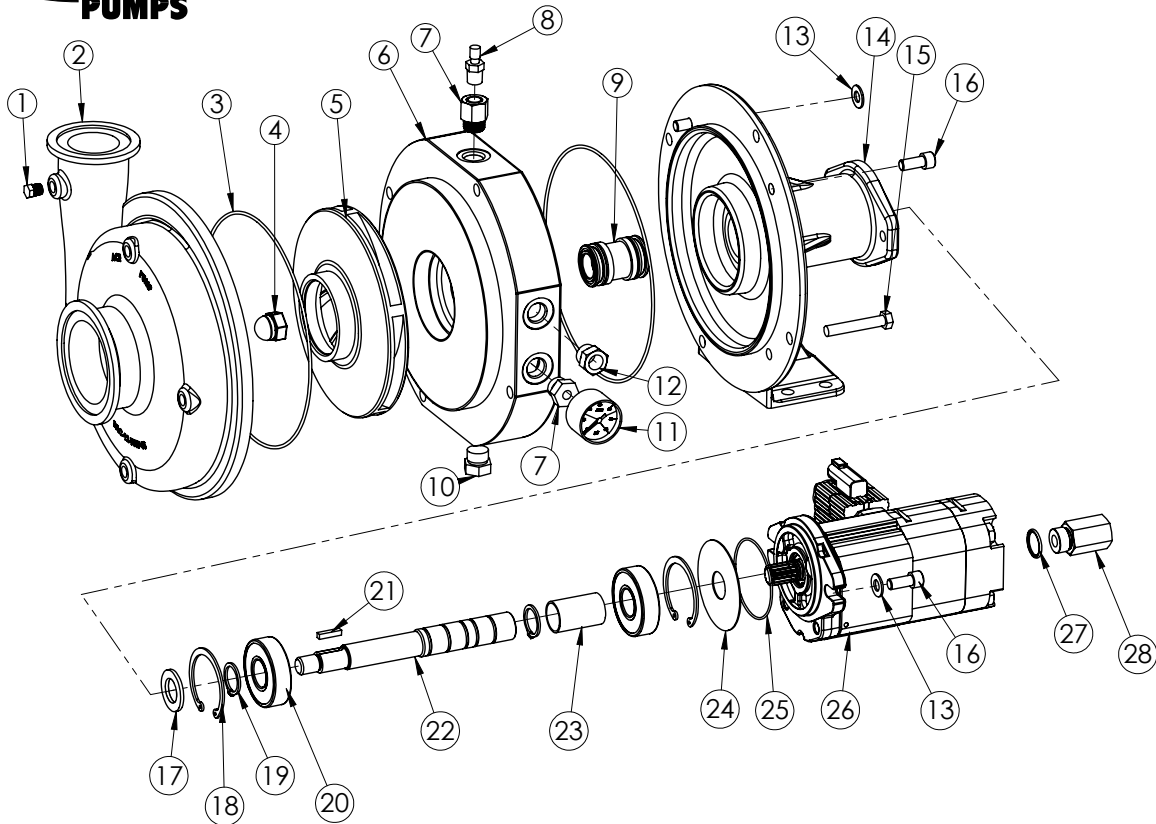


DIMENSIONS





FMC-755FS-HYD-M22-PWM



REF. #	PART NUMBER	EDP #	DESCRIPTION	REQ.
1	41120	41120	Pipe plug, 1/8" NPT, SS	4
2	BAC-12-750-SS	30152	Volute, 300 X 220 flange, 316 stainless steel	1
3 ^①	ACAL-4	30009	O-ring, volute seal	2
4	40397	40397	Acorn nut, 5/8"-11 stainless steel	1
5	BAC-26-750-SS	30189	Impeller, 316 stainless steel	1
6	BAC-16-750-SS	45259	Seal plate, 316 stainless steel	1
7	41107	41107	Bushing, #8 SAE x 1/4" FNPT, hex head, with o-ring	2
8	41316	41316	Air valve, 1/4" NPT	1
9 ^①	BAC-7-750V	40147	Dual seal assembly	1
10	41108	41108	Plug, #8 SAE, hex head, with o-ring	1
11	50150	50150	Pressure gauge, 0-60 PSI, 1/8" NPT	1
12	55851	55851	Site gauge, #8 SAE, steel	1
13	42701	42701	Washer, 3/8", volute and motor mount	3
14	BAC-14-750-HYD	40333	Mounting frame, cast iron, e-coated	1
15	40952	40952	Cap screw, 3/8" NC x 2-1/2", hex head (volute)	4
16	41907	41907	Cap screw, 3/8" NC x 1", socket head (seal plate, motor mount)	6
17	BAC-54-650	41132	Slinger, 7/8" shaft	1
18	41943	41943	Snap ring, internal, frame	2
19	ACAL-32	30174	Snap ring, external, shaft	2
20	40875	40875	Ball bearing, sealed	2
21	41085	41085	Key, .188 x .188 x .875	1
22	BAC-6-750-HYD-SS-WS	40066	Shaft, 11T female spline, stainless steel	1
23	BAC-32-750	40793	Spacer, shaft	1
24	43414	43414	Pad, absorbent, M Series motor	1
25	43419	43419	O-ring, flange, M Series motor	1
26	BAC-75-HYD-M22-PWM	41336	Hydraulic motor, pressure plated gear type, 18 GPM	1
27	41445	41445	O-ring, #10 SAE fitting	2
28	BAC-78-10X10 SAE	41467	Reverse check, #10 SAE male x #10 SAE female	1
* 29 ^①	55032	55032	Barrier fluid, quart	1.64
①	RK-FMC-750	52724	Repair kit, includes items 3 (2 pcs.), 9, and 29 (2 qts.)	--

* - not shown in parts diagram

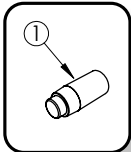
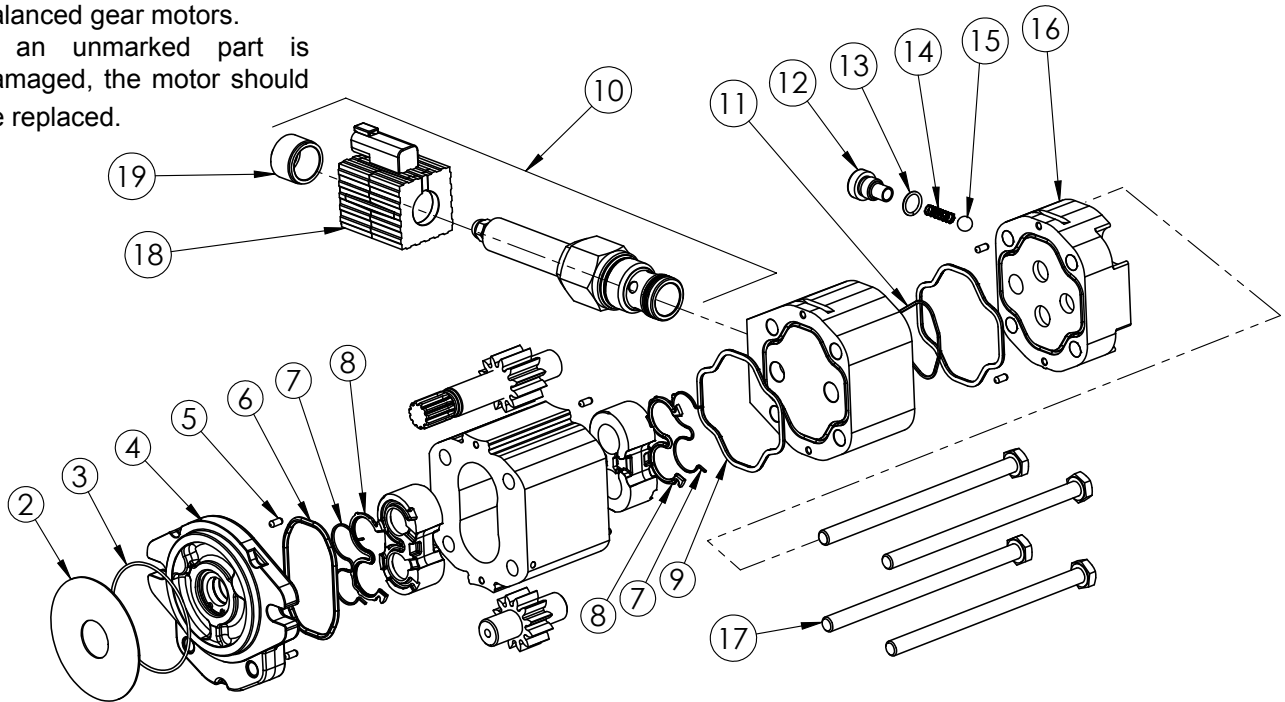


HYDRAULIC MOTOR PARTS LIST

BAC-75-HYD-M22-PWM

Ace M Series motors are high efficiency pressure balanced gear motors.

If an unmarked part is damaged, the motor should be replaced.



Important: The seal installation tool ① is required to install the shaft seal. This tool is included with the repair kit RK-BAC-75-M (40138). It prevents damage to the seal lips during installation over the splined shaft.

REF #	Part #	EDP #	DESCRIPTION	REQ.
1 ^①	43416	43416	Installation tool, shaft seal	1
2 ^①	43414	43414	Absorbent pad	1
3 ^①	43419	43419	O-ring, flange	1
4 ^①	43418	43418	Drive plate assembly, flange, M motors	1
5	43420	43420	Pin, motor assembly	4
6	43425	43425	Housing seal, front external	1
7	43430	43430	Anti-extrusion seal, M motors	2
8	43435	43435	Compensation seal, M motors	2
9	43440	43440	Housing seal, rear external	1
10	PWM-18-PRO-20	74226	Valve assembly, 12V proportional	1
11	41850	41850	O-ring, housing seal	1
12	43445	43445	Cap, coasting check	1
13	43450	43450	O-ring, coasting check cap	1
14	43455	43455	Spring, coasting check	1
15	43460	43460	Ball, coasting check	1
16	43465	43465	End plate, cover, #10 SAE end ports	1
17	43476	43476	Cap screw, motor assembly, hex head, M22-PWM	4
18	74228	74228	Coil, 12V for PWM-18-PRO-20	1
19	74232	74232	Nut, coil attachment, PWM-18-PRO-20	1
①	RK-BAC-75-M	40138	RK-BAC-75-M, Repair kit includes 1, 2, 3, & 4	--

REGULATING HYDRAULIC FLOW TO THE SPRAYER PUMP

There are three general types of hydraulic systems:

- 1) Load Sensing (LS), also known as Pressure-Flow Compensating (PFC) Closed Center
- 2) Pressure Compensating Closed Center (PC)
- 3) Open Center (OPEN)

This product is designed to operate on both Closed Center Hydraulic Systems. It should not be used with Open Center systems. Please consult the Tractor Hydraulic System Pump Selection Guide (HSG), Internet Hydraulic Selection Guide (IHSG) at www.AcePumps.com, or your tractor dealer to determine your tractor's hydraulic system.

All PWM controllers are slightly different in the terminology used and setup procedures. Please consult your controller documentation or their technical service department for additional assistance with your specific application and implement in use.

Link to Ace Pump
IHSG

<http://www.acepumps.com/ihsg/>



Link to Ace Pump
PWM Technical File

http://www.acepumps.com/_Assets/Literature/PWM_Technical_File.pdf

