



High Capacity Hydraulic Driven Centrifugal Pump

FMC-200-HYD-304



- Suction 2" Discharge 1-1/2"
- Recommended for use on the following Hydraulic Systems:
 - ✓ Pressure Compensating Closed Center
 - ✓ Load Sensing or Pressure Flow Compensating Closed Center
 - ✓ Open Center from 10 to 20 GPM
- Integral Needle Valve bypasses up to 9 GPM on Open Center Systems
- Standard Viton® Carbon/Ceramic seal or Optional Severe Duty Silicon Carbide Mechanical Seal
- Chemical Resistant Valox® or Optional Cast Iron Impeller
- Stainless Steel Shaft and Wear Ring

Valox® is a registered trademark of GE Plastics.
 Viton® is a registered trademark of DuPont Dow Elastomers.

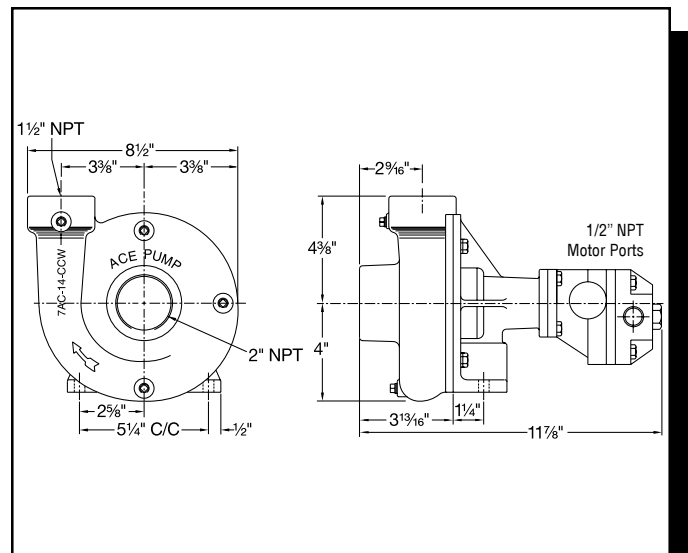
PERFORMANCE CHART

SHUT-OFF 0 GPM	40 GPM	80 GPM	120 GPM	160 GPM	200 GPM
120 PSI	114 PSI	100 PSI	85 PSI	65 PSI	36 PSI
100 PSI	92 PSI	83 PSI	68 PSI	52 PSI	-
80 PSI	76 PSI	68 PSI	57 PSI	43 PSI	-
60 PSI	56 PSI	50 PSI	40 PSI	-	-

Use the SHUT-OFF pressure of your spraying system to determine which line of data applies. The hydraulic system input pressure and flow will vary within the chart. Contact factory for more data.

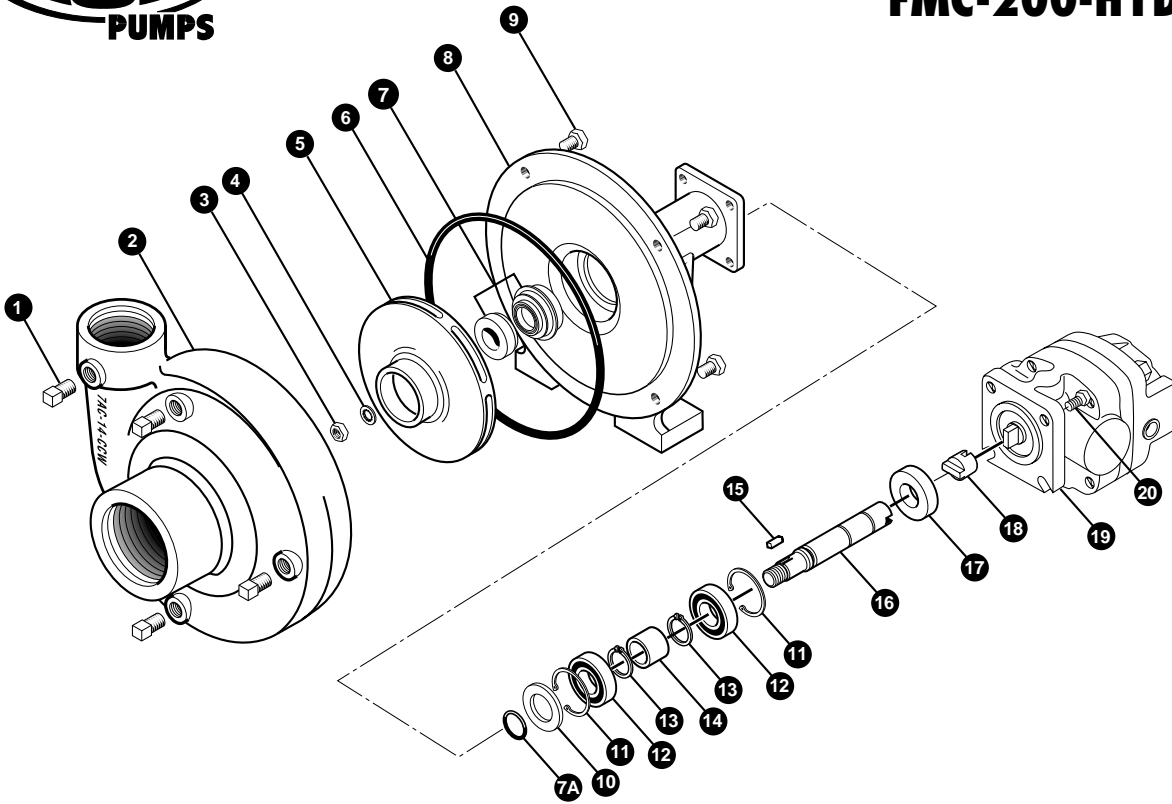
MAXIMUM SHUT-OFF PRESSURE - 120 PSI

DIMENSIONS





FMC-200-HYD-304



REF. #	PART NUMBER	EDP #	DESCRIPTION	REQ.
1	BAC-53	41110	Pipe plug	4
1	41120	41120	Pipe plug, stainless steel (optional)	4
2	7AC-14-CCW	41526	Volute, 2" x 1-1/2"	1
3	BAC-23-A	40391	Nut, 3/8" NF, cad plated	1
4	BAC-24-HYD-SS	40400	Washer, 3/8" star, stainless steel	1
5	BAC-26-200-CI	40433	Impeller,with extended keyway, cast iron (date code E-9 and up)(optional)	1
5	BAC-26-200-P	40434	Impeller, with extended keyway, thermoplastic (available Dec. '99)	1
5	BAC-26-HYD-200-CI	41525	Impeller, cast iron, keyway (obsolete 6/99)	1
*6	BAC-4	40010	Gasket, 4 hole	1
*6	BAC-4A	40005	O-ring, body seal, effective April 1996	1
*7	BAC-7V	40151	Seal, mechanical, Viton (includes 40160 "O" Ring)	1
7	BAC-7SC	40152	Seal, mechanical, silicon carbide (includes 40160 "O" Ring) (optional)	1
7A	40160	40160	O-ring, shaft seal	1
8	BAC-14-HYD-300	40301	Mounting frame (for -300 series hydraulic motor)	1
9	40950	40950	Cap screw, 3/8" NC x 3/4" hex head	4
9	40930	40930	Cap screw, 3/8" NC x 3/4" hex head, stainless steel (optional)	4
10	BAC-54	41130	Slinger	1
11	BAC-33	40810	Snap ring, internal, BAC-14 mounting frame	2
12	BAC-37	40870	Ball Bearing, sealed, BAC-6 shaft	2
13	BAC-32	40790	Snap ring, external, BAC-6 shaft	2
14	BAC-32-S	40795	Spacer for BAC-6 shaft	1
15	BAC-25	40425	Key, 1/8" x 1/8" x 13/16", extended keyway (date code E-9 and up)	1
15	BACH-25	40420	Key, 1/8" x 1/8" x 1/2" (obsolete 6/99)	1
16	BAC-6-HYD-200-SS	40063	Shaft, extended keyway, tang, stainless steel(date code E-9 and up)	1
16	BAC-6-HYD-SS	40061	Shaft, 5/8" diameter, keyway and tang slot, stainless steel (optional)	1
17	S300	40162	Seal support spacer for 300 Series HYD motor, effective 6/00	1
18	BAC-76-HYD	41380	Coupling for hydraulic motor	1
19	BAC-75-HYD-304	41381	Hydraulic motor, 11 GPM	1
20	41330	41330	Cap screw, 5/16" N. C. x 3/4" hex head, motor to pump	4
#	RK-FMC	52700	Repair kit for FMC series pump	-
#	RK-BAC-75-HYD-304	41361	Repair kit for 304 motor	-
#	RK-BAC-75-HYD-300-L	41362	Repair kit for 300 Series -L motor	-

* Items included in pump repair kit.

Ace Pump Corporation • P.O. Box 13187 - 1650 Channel Avenue • Memphis, TN 38113
www.AcePumps.com • Phone: 901-948-8514 • Fax: 901-774-6147