



High Performance Magnetic Clutch Driven Centrifugal Pump



FMC-150-MAG

- Suction 1-1/2" Discharge 1-1/4"
- 120 PSI and 46 GPM at 5,200 RPM shaft speed
- Counter Clockwise Rotation when Facing Shaft End
- Stainless Steel Shaft and Wear Ring
- Chemical Resistant Valox® or Optional Cast Iron Impeller
- Standard Viton Carbon/Ceramic seal or Optional Severe Duty Silicon Carbide Mechanical Seal
- DC 12 Volt Magnetic Clutch Transmits up to 10 HP at 4000 RPM
- 5-1/4" Drive Pulley Diameter uses Standard A or B Section Belt

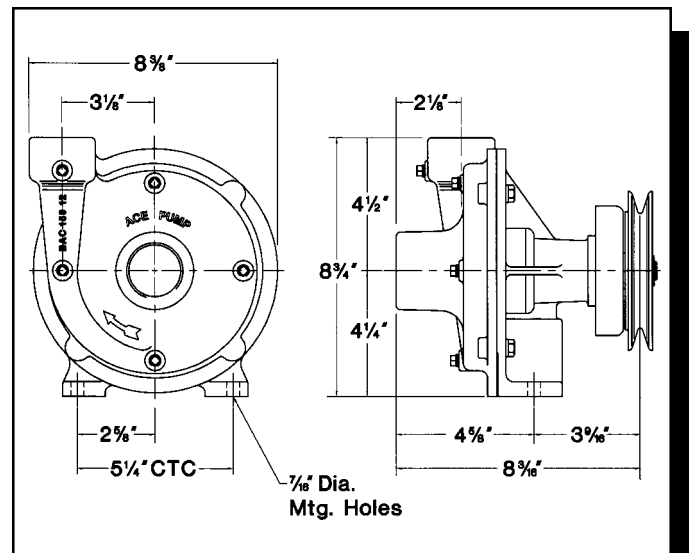
® Valox is a registered trade mark of GE Plastics.

PERFORMANCE CHART

PUMP SHAFT SPEED	20	40	60	80	100	120	MAX HP
	PSI GPM	PSI GPM	PSI GPM	PSI GPM	PSI GPM	PSI GPM	
3200	77 77	45 45	- -	- -	- -	- -	1.5
3800	96 96	80 80	38 38	- -	- -	- -	4
4400	112 112	105 105	90 90	60 60	- -	- -	6
5200	130 130	125 125	116 116	105 105	85 85	46 46	10

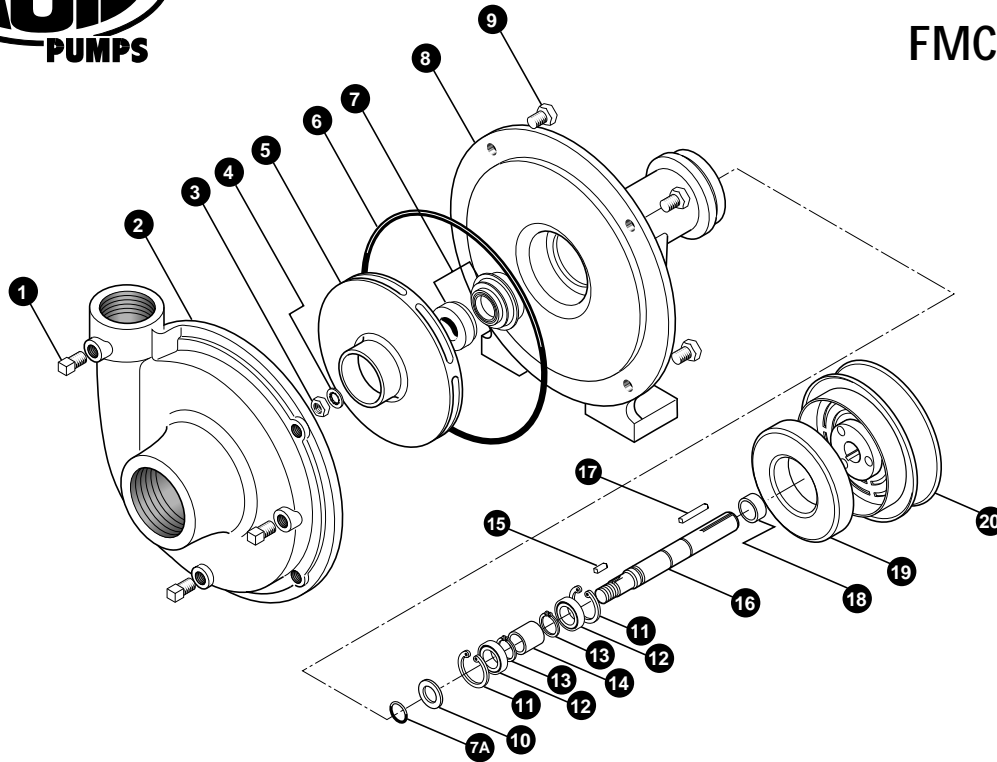
$$\frac{\text{Pump RPM}}{\text{Driveshaft RPM}} = \frac{\text{Drive Pulley Diameter}}{\text{Pump Pulley Diameter}}$$

DIMENSIONS





FMC-150-MAG



REF. #	PART #	EDP #	DESCRIPTION	REQ.
1	41110	41110	Pipe plug, 1/8" NPT	4
1	41120	41120	Pipe plug, 1/8" NPT, stainless steel (optional)	4
2	BAC-12-150	40255	Volute, 1-1/2" x 1-1/4", cast iron	1
3	BAC-23-A	40391	Nut, 3/8" NF Hex, cad plated locknut	1
4	BAC-24-HYD-SS	40400	Washer, 3/8", stainless steel	1
5	BAC-26-150-P	40446	Impeller, Valox with keyway	1
5	BAC-26-150	40445	Impeller, cast iron with keyway (optional)	1
*6	BAC-4-150	40015	"O" Ring for BAC-12-150 volute seal	1
*7	BAC-7V	40151	Seal, Viton mechanical seal (includes 40160 "O" ring)	1
7	BAC-7SC	40152	Seal, Silicon carbide mechanical seal (includes 40160 "O" Ring)(optional)	1
7A	40160	40160	"O" Ring for BAC-6 shaft	1
8	BAC-14-150-MAG	40307	Mounting frame	1
9	40930	40930	Cap screw, 3/8" NC x 3/4" Hex head, stainless steel (optional)	4
9	40950	40950	Cap screw, 3/8" NC x 3/4" Hex head	4
10	BAC-54	41130	Slinger	1
11	BAC-33	40810	Snap ring, internal, BAC-14 mounting frame	2
12	BAC-37	40870	Bearing, BAC-6 driven shaft	2
13	BAC-32	40790	Snap ring, external, BAC-6 driven shaft	2
14	BAC-32-S	40795	Spacer for BAC-6 shaft	1
15	BACH-25	40420	Key, 1/8" x 1/8" x 1/2"	1
16	BAC-6-150/200	40055	Shaft, 5/8" Driven shaft with keyway (optional)	1
16	BAC-6-150/200-SS	40056	Shaft, 5/8" Driven shaft with keyway, stainless steel	1
17	BAC-50	41080	Key, 3/16" x 3/16" x 1-1/4"	1
18	41477	41477	Spacer, clutch	1
19	41476	41476	Coil ring, 12 volt, DC activated	1
20	41479	41479	5-1/4" Pulley assembly complete with bearing and clutch driver	1
#	RK-FMC-150	052710	Repair kit for FMC series	-
#	41475	41475	Magnetic Clutch assembly, includes 41476, 41477, and 41479	-

* Items included in pump repair kit.

Ace Pump Corporation • P.O. Box 13187 - 1650 Channel Avenue • Memphis, TN 38113
www.AcePumps.com • Phone: 901-948-8514 • Fax: 901-774-6147