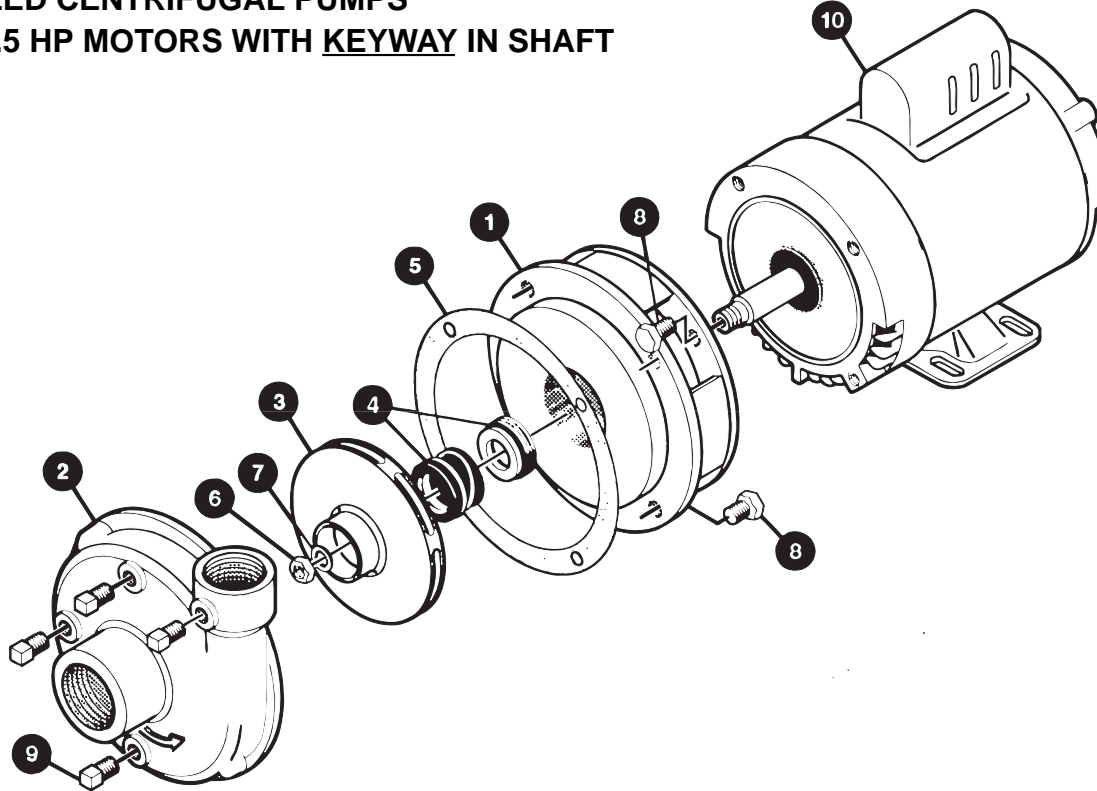




PARTS LIST

CLOSE COUPLED CENTRIFUGAL PUMPS 1.5 HP THRU 7.5 HP MOTORS WITH KEYWAY IN SHAFT

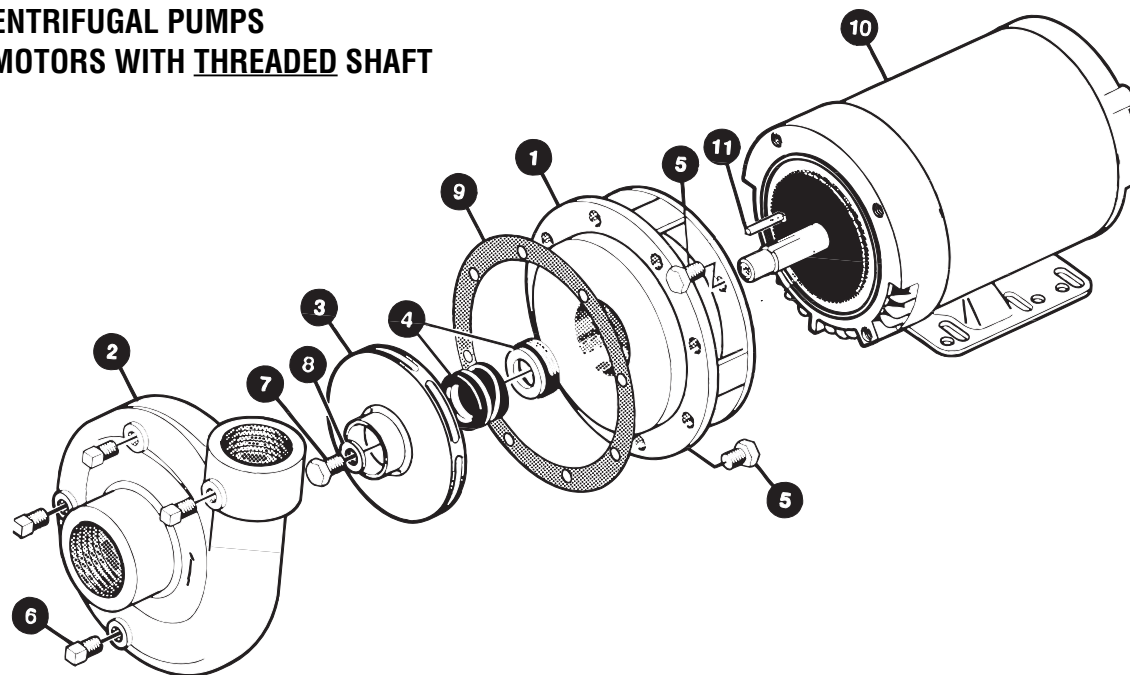


REF.	DESCRIPTION	HIGH HEAD						LOW HEAD			
		ACXH-150	ACH-150	ACH-200	ACH-300	ACH-500	ACH-750	ACL-150	ACL-200	ACL-300	ACL-500
1	Bracket	30071	30062	30010	30015	30015	30015	30062	30015	30015	30015
2	Volute	30100	30130	30130	30140	30140	30150	30140	30140	30150	30150
3	Impeller	30320	30330	30340	30350	30360	30370	30400	30410	30430	30440
4	Seal	30220	30220	30220	30220	30220	30220	30220	30220	30220	30220
5	3/8"-16" Hex head cap screw	40950	40950	40950	40950	40950	40950	40950	40950	40950	40950
6	Pipe plug	41110	41110	41110	41110	41110	41110	41110	41110	41110	41110
7	5/16"-24" Cap screw, stainless steel	31090	31090	31090	31090	31090	31090	31090	31090	31090	31090
8	5/16" Washer, stainless steel	31100	31100	31100	31100	31100	31100	31100	31100	31100	31100
9	Gasket	31040	31110	31110	31110	31110	31110	31110	31110	31110	31110
10	Motor, single phase	30830	30830	30870				30830	30870		
10	Motor, three phase	30850	30850	30880	30900	30920	30930	30850	30880	30900	30920

Note: Parts list only shows EDP numbers for the standard parts.

PARTS LIST

CLOSE COUPLED CENTRIFUGAL PUMPS
1/3 HP THRU 1 HP MOTORS WITH THREADED SHAFT



REF.	DESCRIPTION	HIGH HEAD				LOW HEAD	
		ACH-33	ACH-50	ACH-75	ACH-100	ACL-75	ACL-100
1	Bracket	30070	30070	30070	30070	30060	30060
2	Volute	30100	30100	30100	30100	30130	30130
3	Impeller	30281	30291	30300	30310	30380	30390
4	Seal	30210	30210	30210	30210	30210	30210
5	Gasket	31040	31040	31040	31040	31110	31110
6	7/16"-20 Nut	31050	31050	31050	31050	31050	31050
7	7/16" Lock washer	31060	31060	31060	31060	31060	31060
8	Hex head cap screw	40950	40950	40950	40950	40950	40950
9	Pipe plug	41110	41110	41110	41110	41110	41110
10	Motor, single phase	30730	30740	30760	30800	30760	30800
10	Motor, three phase		30755		30770 30810		30770 30810

Note: Parts list only shows EDP numbers for the standard parts.