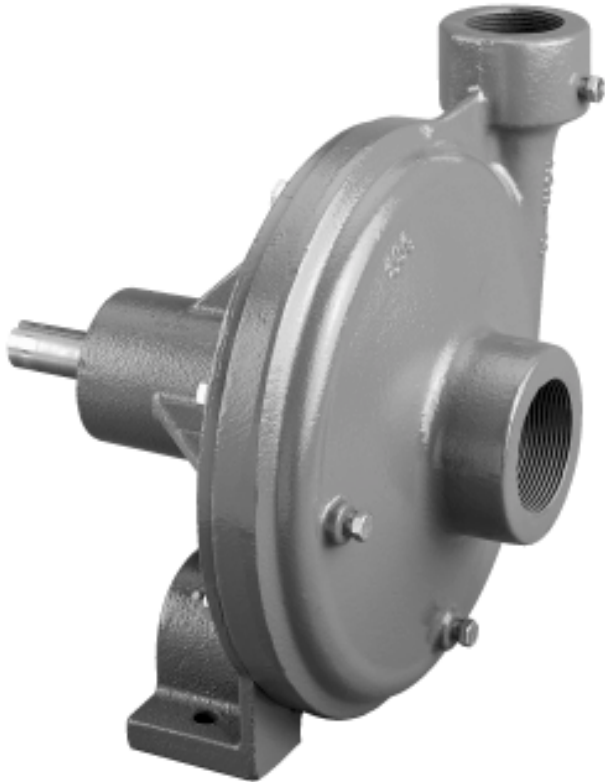




# High Performance Frame Mounted Centrifugal Pump



## FMC-CW-800

- Suction 2" Discharge 1-1/2"
- Larger diameter impeller allows higher pressures at slower speeds
- Easily replaceable mechanical seal cartridge
- Standard Viton® Carbon/Ceramic seal or Optional Severe Duty Silicon Carbide Mechanical Seal
- All iron construction
- Heavy duty double row ball bearings
- Clockwise Rotation when facing shaft

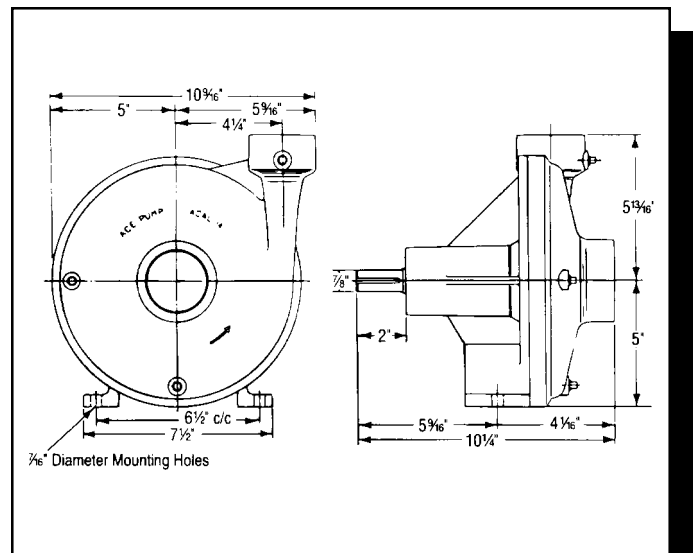
### PERFORMANCE CHART

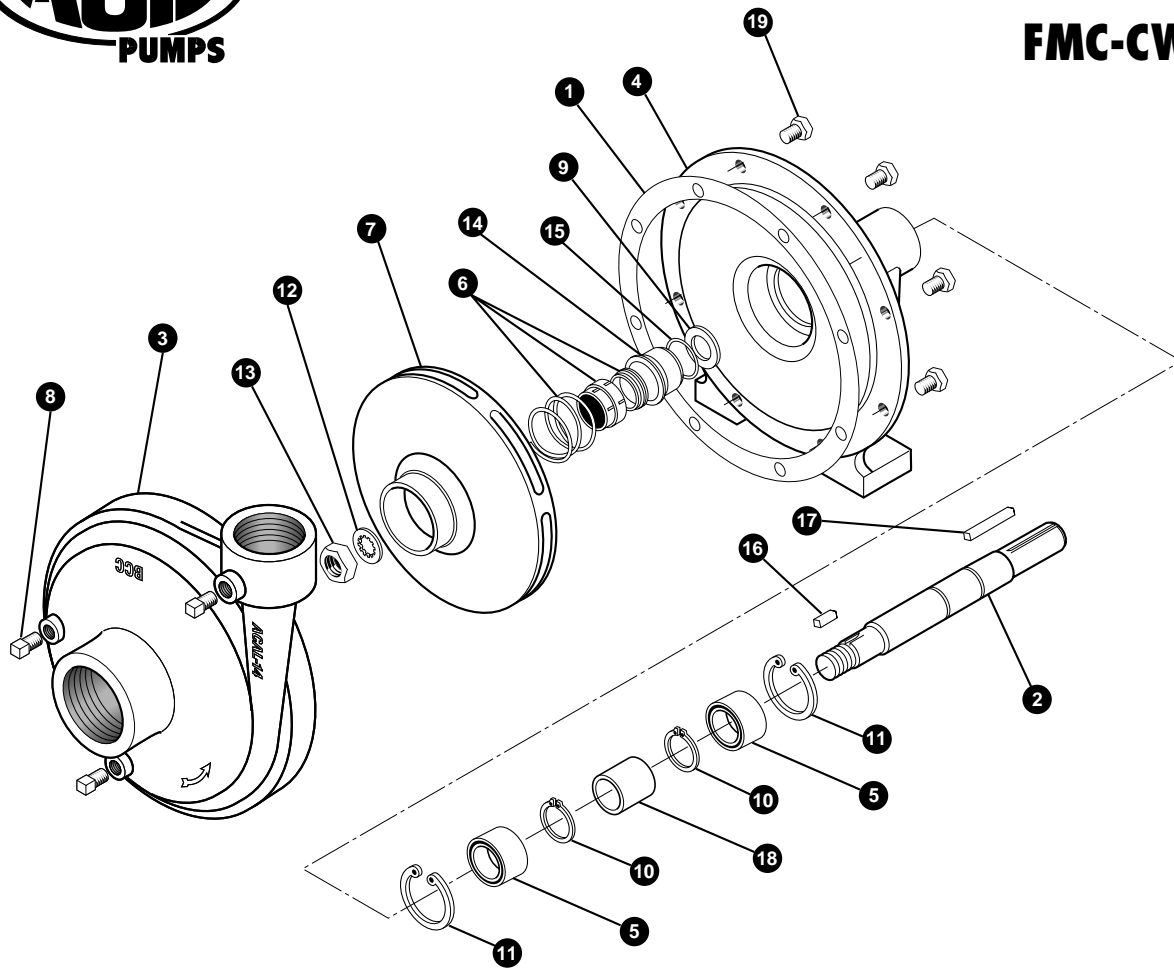
PUMP SHAFT SPEED	20	40	60	80	100	120	140	160	MAX HP
	PSI GPM	PSI GPM	PSI GPM	PSI GPM	PSI GPM	PSI GPM	PSI GPM	PSI GPM	
3200 RPM	160 160	150 150	130 130	80 80	10 10	- -	- -	- -	6.5
3600 RPM	180 180	180 180	150 150	120 120	60 60	40 40	- -	- -	8.0
3800 RPM	180 180	180 180	175 175	150 150	120 120	80 80	30 30	- -	10.0
4000 RPM	180 180	180 180	180 180	170 170	150 150	100 100	70 70	- -	12.5
4200 RPM	180 180	180 180	180 180	180 180	170 170	140 140	100 100	50 50	14.2

$$\frac{\text{Pump RPM}}{\text{Driveshaft RPM}} = \frac{\text{Drive Pulley Diameter}}{\text{Pump Pulley Diameter}}$$

Viton® is a registered trademark of DuPont Dow Elastomers.

### DIMENSIONS





REF. #	PART NO.	EDP NO.	DESCRIPTION	REQ.
1*	ACAL-4	30009	"O" ring for ACAL-14 volute seal	1
1	9000	31130	Gasket, 8 hole, obsolete Jan. 96	1
2	ACAL-6-SS-A	30017	Shaft, stainless steel	1
3	ACAL-14	30160	2" x 1-1/2" Volute	1
4	ACAL-15	30165	Mounting frame	1
5	ACAL-37-DRB	30179	Bearing, double row	2
6*	TYPE 21-984	30255	Seal, .984" type 21	1
6	TYPE 21-984-SC	30256	Seal, .984" type 21, silicon carbide (optional)	1
7	ACAL-26-75	30555	8" Impeller with keyway	1
8	BAC-53	41110	1/8" NPT pipe plug	3
8	41120	41120	1/8" NPT pipe plug, stainless steel (optional)	3
9	GE-54	42220	Slinger	1
10	ACAL-32	30174	External snap ring	2
11	BACG-33	45165	Internal snap ring	2
12	BACG-44-A	45191	9/16" Lockwasher, stainless steel	1
13	45195	45195	9/16" - 18 Lock nut, hex	1
14	BACG-90M	45270	Seal cartridge for mechanical seal	1
15*	73010	73010	"O" Ring for seal cartridge	1
16	41079	41079	3/16" x 3/16" x 1/2" Impeller key	1
17	BAC-50	41080	3/16" x 3/16" x 1-1/4" Shaft key	1
18	ACAL-32-S-A	30176	Spacer for ACAL-6 Shaft	1
19	40950	40950	3/8" NC x 3/4" hex head cap screw	8
#	RK-FMC-CW-800	52715	Repair kit for FMC-CW-800 pump	1

\* Items included in pump repair kit.