



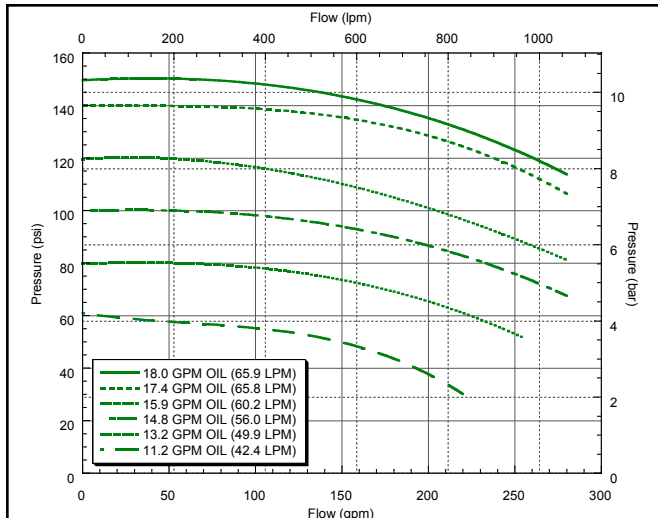
High Performance Oasis™ Wet Seal Centrifugal Pump



FMC-750F-HYD

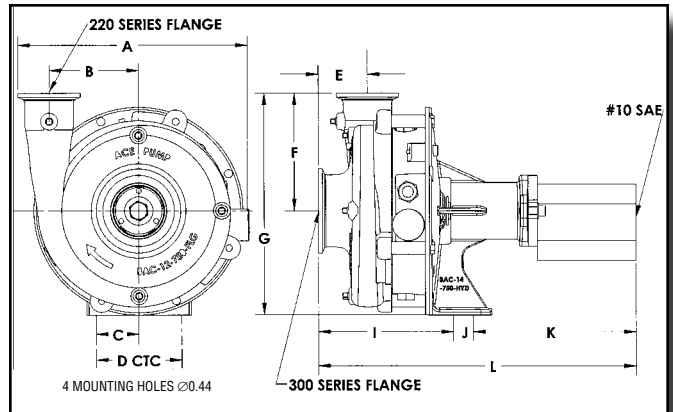
- Suction 300 Series Flange
- Discharge 220 Series Flange
- High Performance Pump
 - Maximum Flow 290 GPM (1098 LPM)
 - Maximum Pressure 150 PSI (10.3 BAR)
- WetSeal Technology
 - Prevents Run Dry Failures
 - Isolates Seals from Chemicals and Fertilizers
- Maximum Reliability
 - Operates at Lower RPM
 - Oversized Bearings
 - High Efficiency 4000 PSI (275 BAR) Pressure Plated Gear Motor
 - E-coat Corrosion Protection
- 2 Year Warranty

PERFORMANCE CHART



Note: Performance for pump with M22 motor.

DIMENSIONS

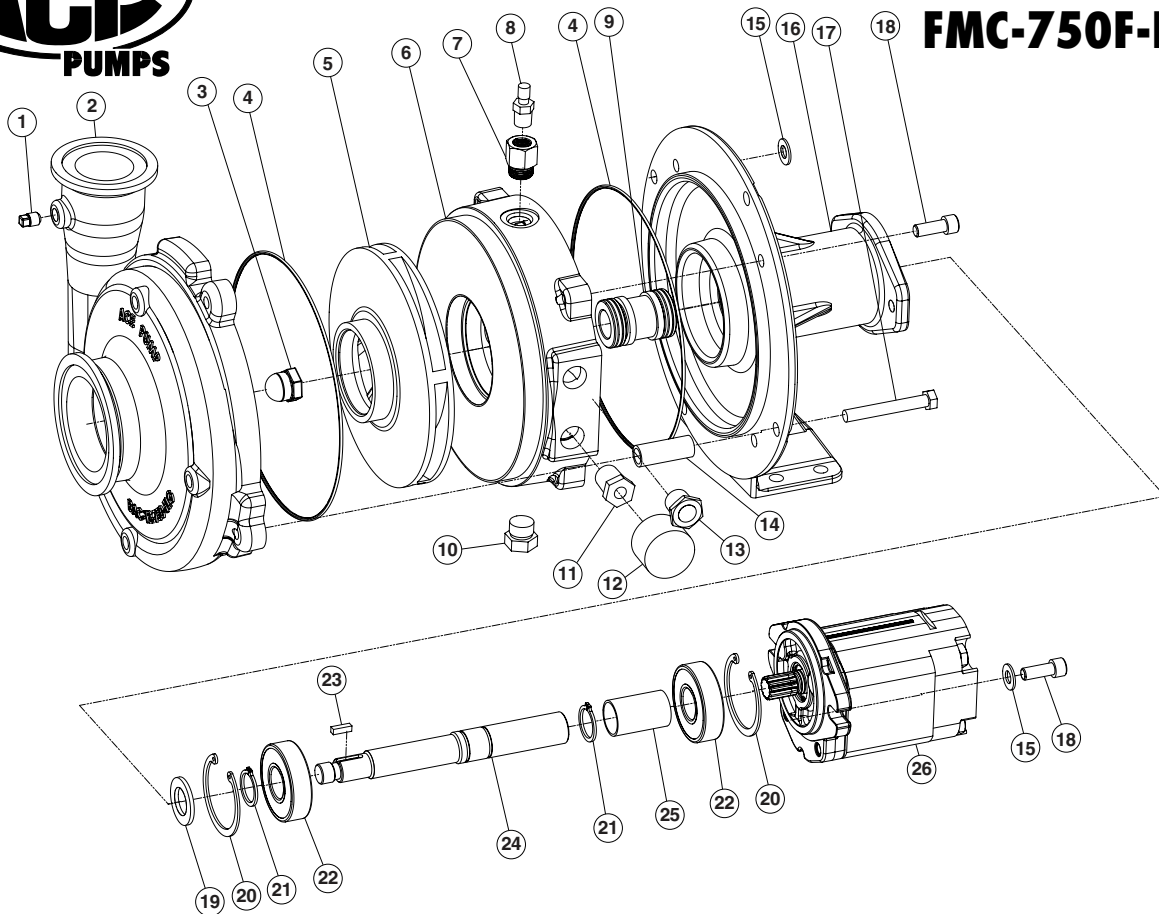


	A	B	C	D	E	F	G	I	J	K	L
INCHES	12.06	4.69	2.25	4.50	2.59	6.25	11.75	6.88	1.50	8.31	16.69
MM	306.3	119.1	57.2	114.3	65.8	158.8	298.5	174.8	38.1	211.1	423.9

Note: Dimensions for pump with M25 motor.



FMC-750F-HYD



REF. #	PART NUMBER	EDP #	DESCRIPTION	REQ.
1	BAC-53	41110	Pipe plug, 1/8" NPT	4
2	BAC-12-750-FLG	30158	Volute, 300 X 220 flange, cast iron, e-coated	1
3	40397	40397	Acorn nut, 5/8"-11 stainless steel	1
4①	ACAL-4	30009	O-ring, volute seal	2
5	BAC-26-750-CI	30182	Impeller, cast iron, e-coated	1
6	BAC-16-750	45264	Seal plate, cast iron, e-coated	1
7	41107	41107	Plug, #8 SAE X 1/4" FNPT, hex, with o-ring	1
8	41316	41316	Air valve, 1/4" NPT	1
9①	BAC-7-750V	40147	Dual seal assembly, Type 21, .875 shaft	1
10	41108	41108	Plug, #8 SAE, hex head, with o-ring	1
11	44038	44038	Bushing, 1/2" MNPT x 1/8" FNPT	1
12	50150	50150	Pressure gauge, 0-60 PSI, 1/8" NPT	1
13	55850	55850	Site gauge, brass 1/2" NPT	1
14	45267	45267	Spacer, seal plate	4
15	42701	42701	Washer, 3/8", motor mount (2) & volute (1-behind discharge)	3
16	BAC-14-750-HYD	40333	Mounting frame, cast iron, e-coated	1
17	40952	40952	Cap screw, 3/8" NC x 2-1/2", hex head (volute)	4
18	41907	41907	Cap screw, 3/8" NC x 1", socket head (seal plate, motor mount)	4
19	BAC-54-650	41132	Slinger, 7/8" shaft	1
20	41943	41943	Snap ring, internal, frame	2
21	ACAL-32	30174	Snap ring, external, shaft	2
22	40875	40875	Ball bearing, sealed	2
23	41085	41085	Key, .188 x .188 x .875	1
24	BAC-6-750-HYD-SS-WS	40066	Shaft, 11T female spline, stainless steel	1
25	BAC-32-750	40793	Spacer, shaft	1
26	BAC-75-HYD-M22	41355	Hydraulic motor, pressure plated gear type, 18 GPM	1
26	BAC-75-HYD-M25	41356	Hydraulic motor, pressure plated gear type, 20 GPM	1
* 27①	55032	55032	Barrier fluid, quart	1.32
①	RK-FMC-750	52724	Repair kit, includes items 4 (2 pcs.), 9, and 27 (2 qts.)	--

* - not shown in parts diagram