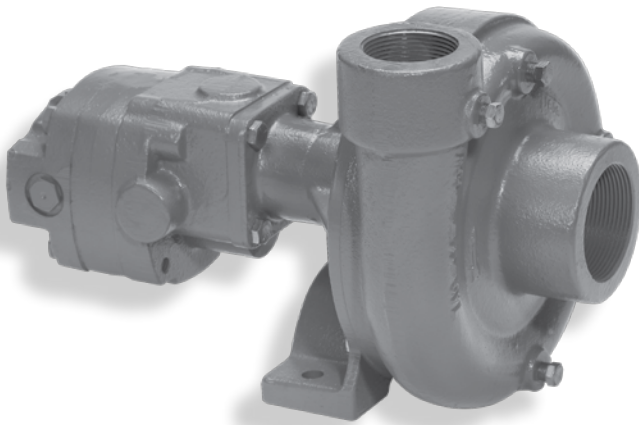


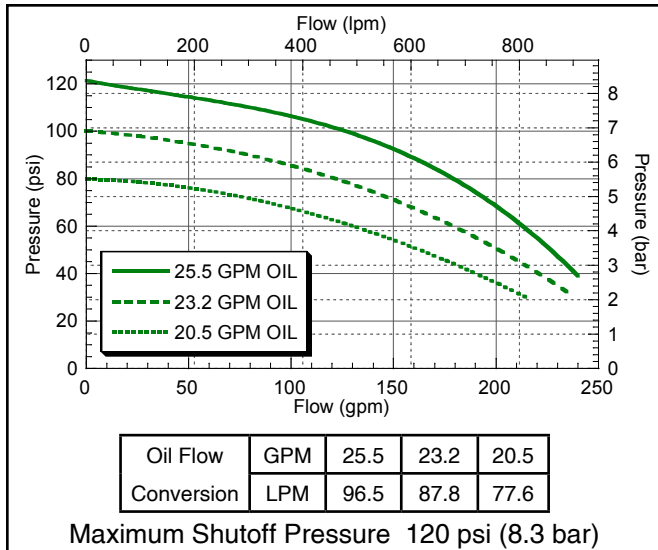
High Capacity Hydraulic Driven Centrifugal Pump



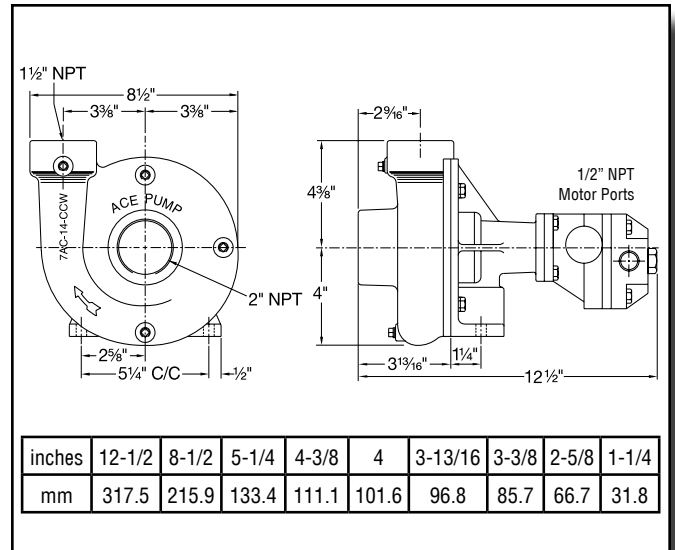
FMC-200-HYD-310

- Suction 2" Discharge 1-1/2"
- Recommended for use on Open Center Hydraulic Systems from 16 to 25 GPM
- Integral Needle Valve bypasses up to 9 GPM on Open Center Systems
- Standard Viton® Carbon/Ceramic seal or Optional Severe Duty Silicon Carbide Mechanical Seal
- Chemical Resistant Valox® or Optional Cast Iron Impeller
- Stainless Steel Shaft and Wear Ring

PERFORMANCE CHART



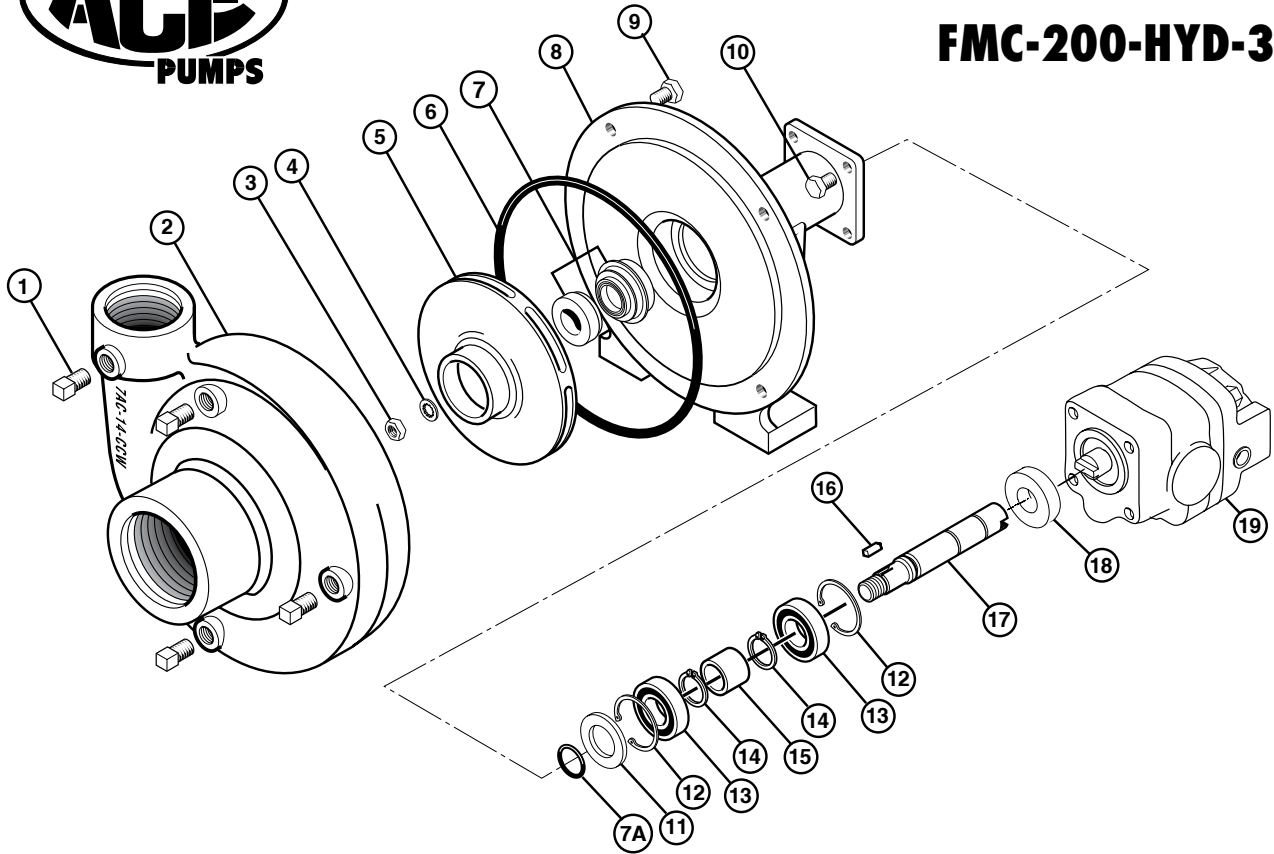
DIMENSIONS



Valox® is a registered trademark of GE Plastics.
 Viton® is a registered trademark of DuPont Dow Elastomers.



FMC-200-HYD-310



REF. #	PART NUMBER	EDP #	DESCRIPTION	REQ.
1	BAC-53	41110	Pipe plug	4
1	41120	41120	Pipe plug, stainless steel (optional)	4
2	7AC-14-CCW	41526	Volute, 2" x 1-1/2"	1
3	BAC-23-A	40391	Nut, 3/8" NF, cad plated	1
4	BAC-24-HYD-SS	40400	Washer, 3/8" star, stainless steel	1
5	BAC-26-200-CI	40433	Impeller, with extended keyway, cast iron (optional)	1
5	BAC-26-200-P	40434	Impeller, with extended keyway, thermoplastic	1
6①	BAC-4A	40005	O-ring, body seal	1
7①	BAC-7V	40151	Seal, carbon/ceramic/Viton (includes 40160 "O" Ring)	1
7②	BAC-7SC	40152	Seal, silicon carbide (includes 40160 "O" Ring) (optional)	1
7A	40160	40160	O-ring, shaft seal	1
8	BAC-14-HYD-300A	40314	Mounting frame (for -300A series hydraulic motor)	1
9	40950	40950	Cap screw, 3/8" NC x 3/4" hex head	4
9	40930	40930	Cap screw, 3/8" NC x 3/4" hex head, stainless steel (optional)	4
10	41330	41330	Cap screw, 5/16" N. C. x 3/4" hex head, motor to pump	4
11	BAC-54	41130	Slinger	1
12	BAC-33	40810	Snap ring, internal, BAC-14 mounting frame	2
13	BAC-37	40870	Ball Bearing, sealed, BAC-6 shaft	2
14	BAC-32	40790	Snap ring, external, BAC-6 shaft	2
15	BAC-32-S	40795	Spacer for BAC-6 shaft	1
16	BAC-25	40425	Key, 1/8" x 1/8" x 13/16", extended keyway	1
17	BAC-6-HYD-200-SS	40063	Shaft, extended keyway, tang, stainless steel	1
18	S300	40162	Seal support spacer for 300 Series HYD motor	1
19	BAC-75-HYD-310A	41389	Hydraulic motor, 16 - 25 GPM, 1/2" NPT ports	1
①	RK-FMC	52700	Repair kit for FMC series pump	-
②	RK-FMCS	52706	Repair kit for FMC series pump with silicon carbide shaft seal	-
#	RK-BAC-75-HYD-300-L	41362	Repair kit for 300 Series -L motor	-

Ace Pump Corporation • P.O. Box 13187 - 1650 Channel Avenue • Memphis, TN 38113
 www.AcePumps.com • Phone: 901-948-8514 • Fax: 901-774-6147

Ace Form # FMC-200-HYD-310
 Revised 08/08