



FLANGED PORT CENTRIFUGAL PUMPS

FMC-150F SERIES



FMC-150F-HYD-206

Get the Ace Advantage!

Eliminate the need for pipe thread sealer and problems like cross threaded fittings and fittings pointing in the wrong direction with Ace's new flanged pump ports. These high performance flanges mate with industry standard fittings for flexible, leak proof sprayer component connections.

Port Specifications:

- Suction – 220 Full Port Flange and 1-1/2" NPT
- Discharge – 200 Standard Port Flange and 1-1/4" NPT

Advantages:

- Quick installation
- Easy disassembly for service or replacement
- Optimized flow passages for improved performance
- Flanges for new installations and NPT threads for drop in replacement
- Reduces assembly time and labor cost

150 SERIES **HIGH PERFORMANCE**

Available on 150 Series Pump Models:

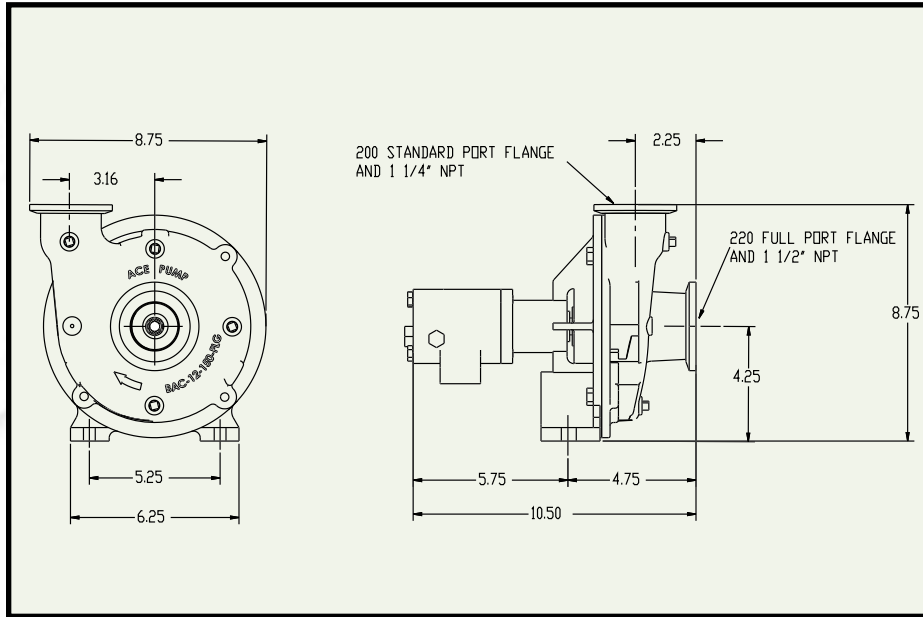
- Add "F" to 150 in the part number
- FMC-150F-HYD Models
- PTOC-150F Models
- FMC-150F Models
- FMC-150F-MAG Models
- FMC-150F-MAG-D Models

www.AcePumps.com
901-948-8514 • 1650 Channel Avenue
Memphis, TN 38113

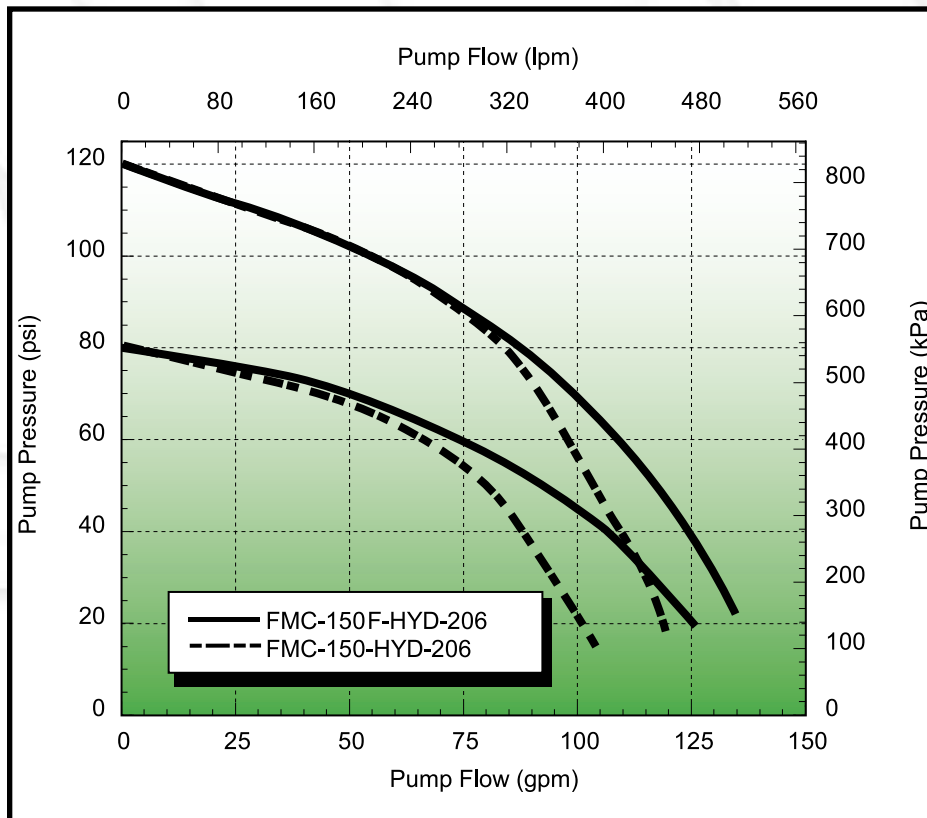




DIMENSION DRAWING



PERFORMANCE GRAPH



www.AcePumps.com
 901-948-8514 • 1650 Channel Avenue
 Memphis, TN 38113